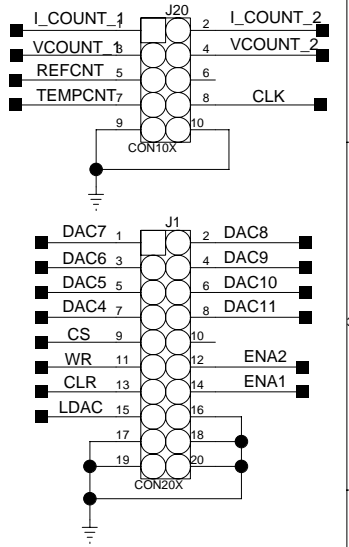


**TO DIGITAL BOARD**



THE OHIO STATE UNIVERSITY PHYSICS DEPARTMENT ELECTRONICS LAB 174 WEST 18TH AVE, COLUMBUS OH 43210			
TITLE <b>High Voltage Generation and Measurement BABAR MUON H.V. SYSTEM</b>			
PARENT PAGE	PROJECT		D776V
BY DSS	DATE 10-18-2004_10:29	FILE BRICKBD.	PAGE 1

