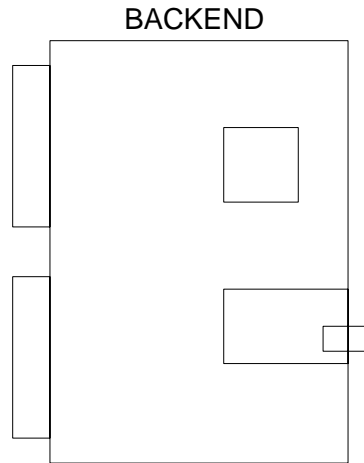
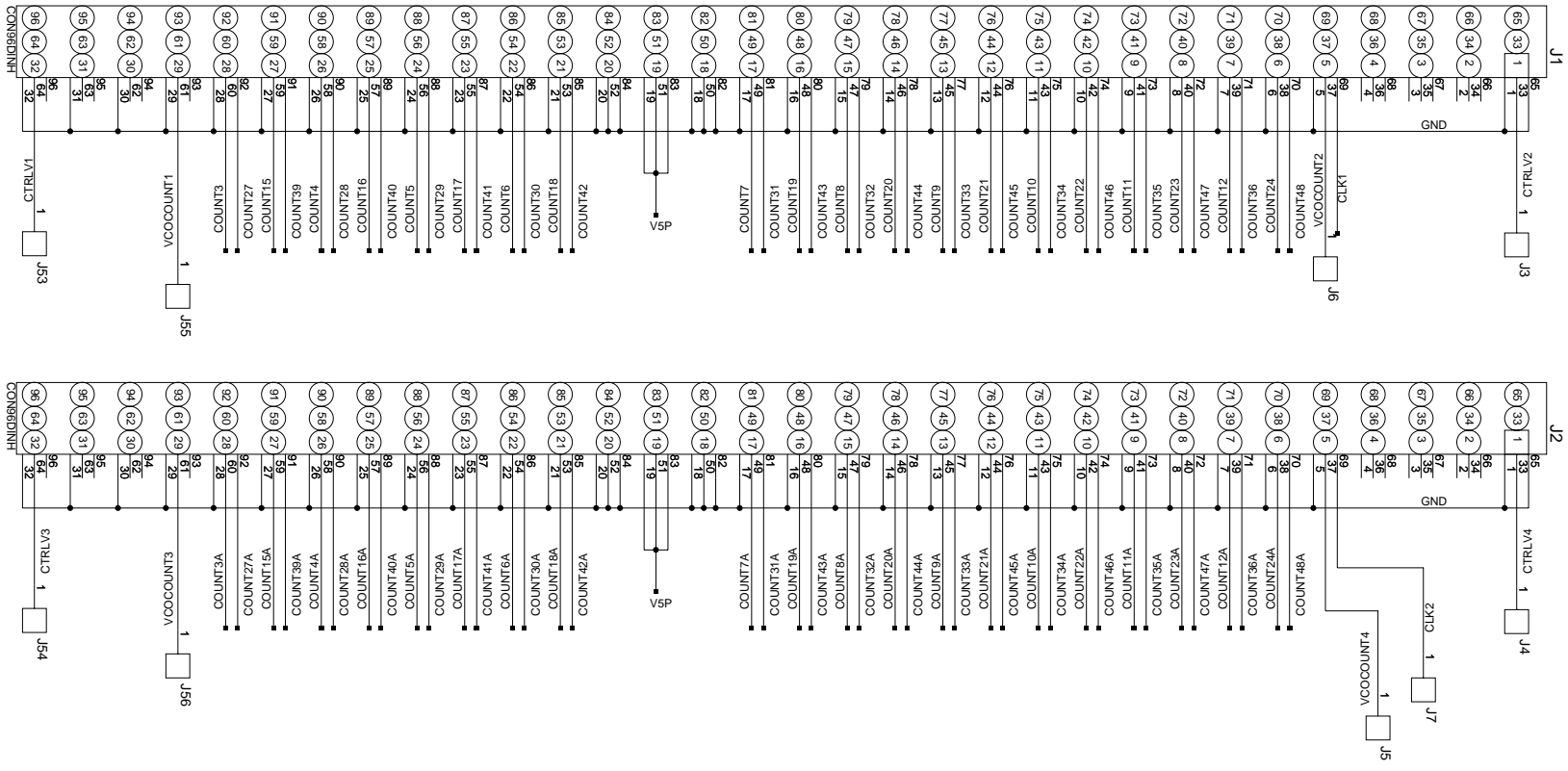


D776N

Digital Back End Board For BABAR Muon Chamber  
High Voltage Power Supply System



ELECTRONICS LAB  
PHYSICS DEPARTMENT  
THE OHIO STATE UNIVERSITY  
174 WEST 18TH AVE  
COLUMBUS OHIO 43210

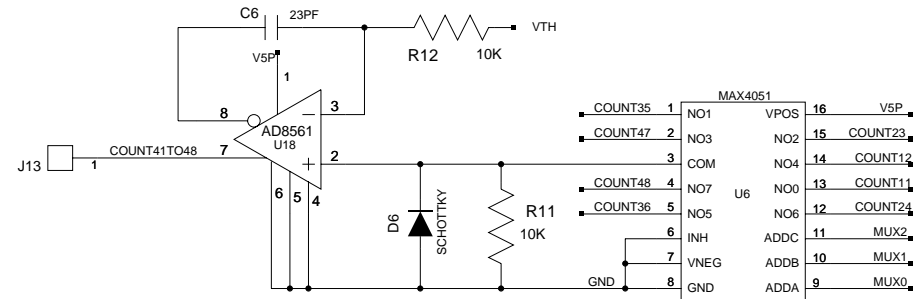
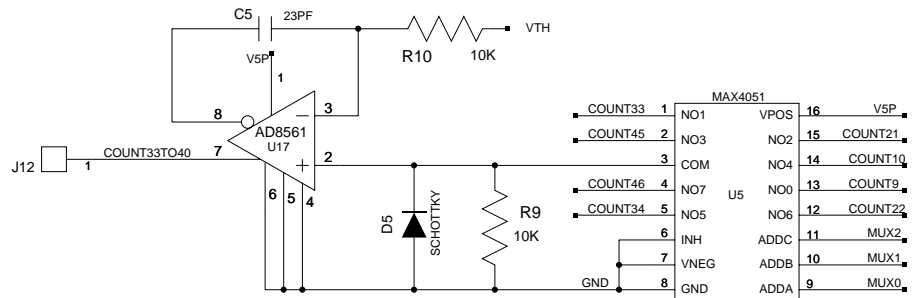
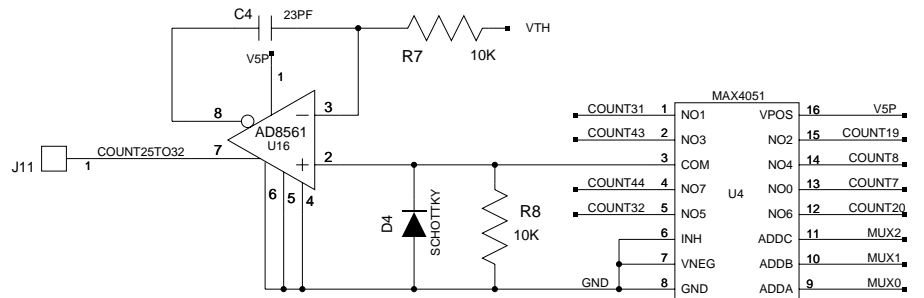
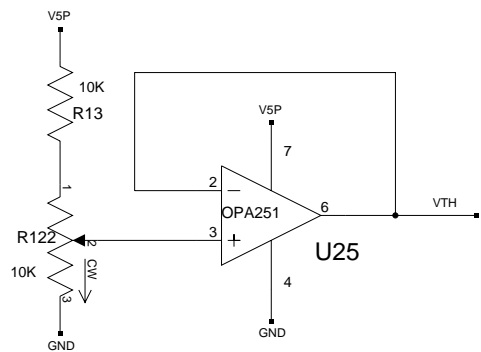
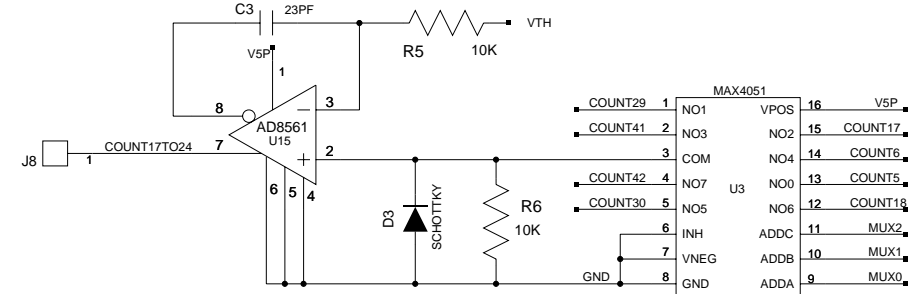
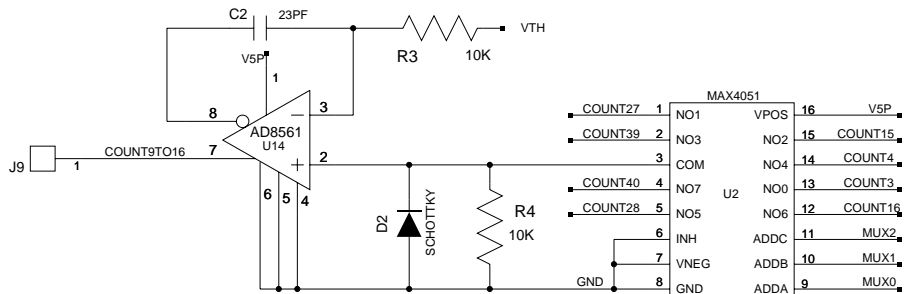


THE OHIO STATE UNIVERSITY  
 PHYSICS DEPARTMENT ELECTRONICS LAB  
 174 WEST 18TH AVE, COLUMBUS OH 43210

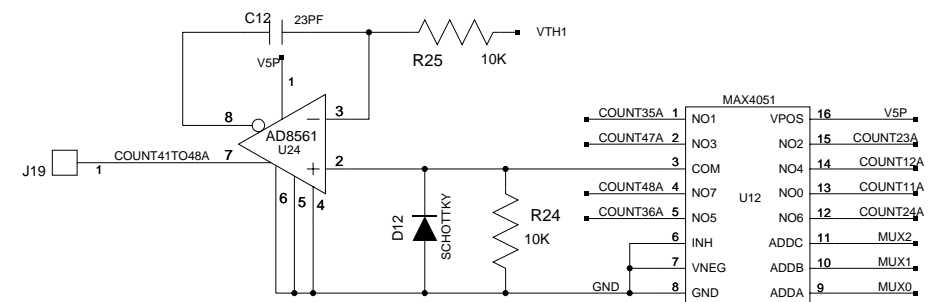
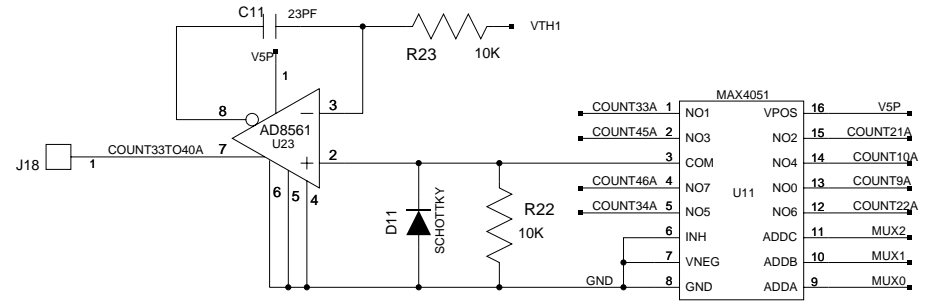
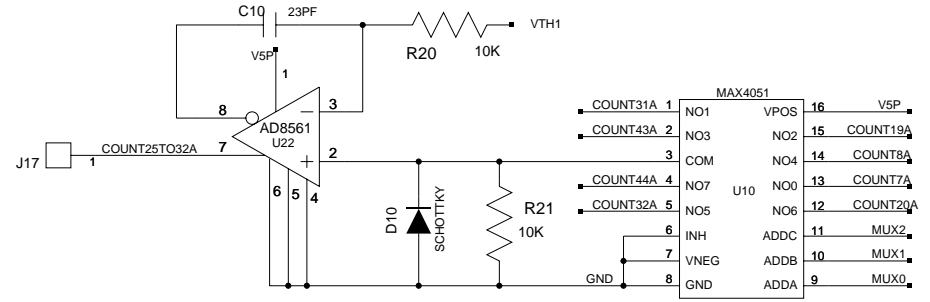
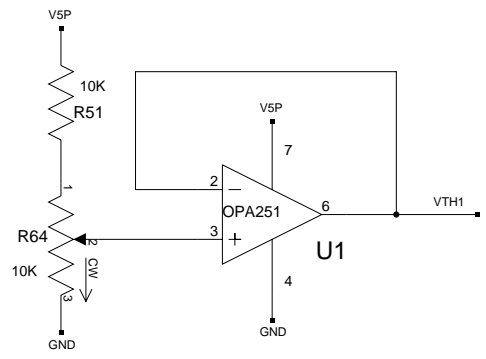
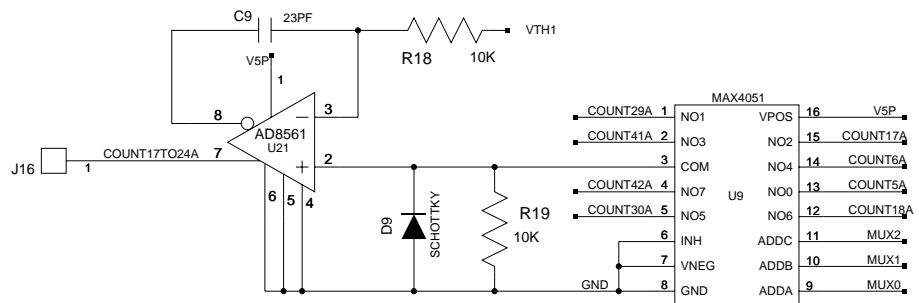
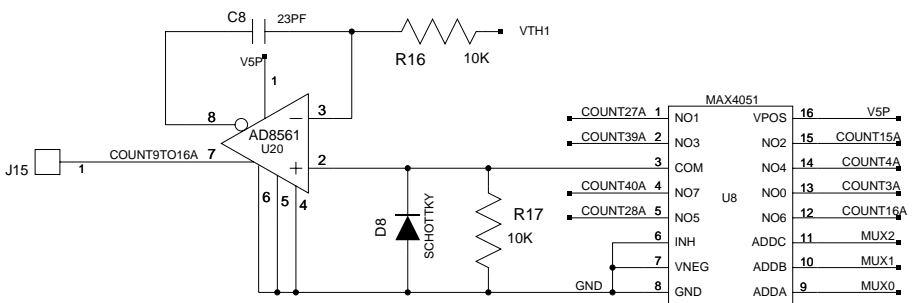
TITLE  
**Connectors From Motherboards**  
**BABAR MUON H.V. SYSTEM**

PARENT PAGE PROJECT  
 D776N

BY DATE FILE PAGE  
 DSS 12-27-2003\_13:28 BACKEND. 1



A B C D



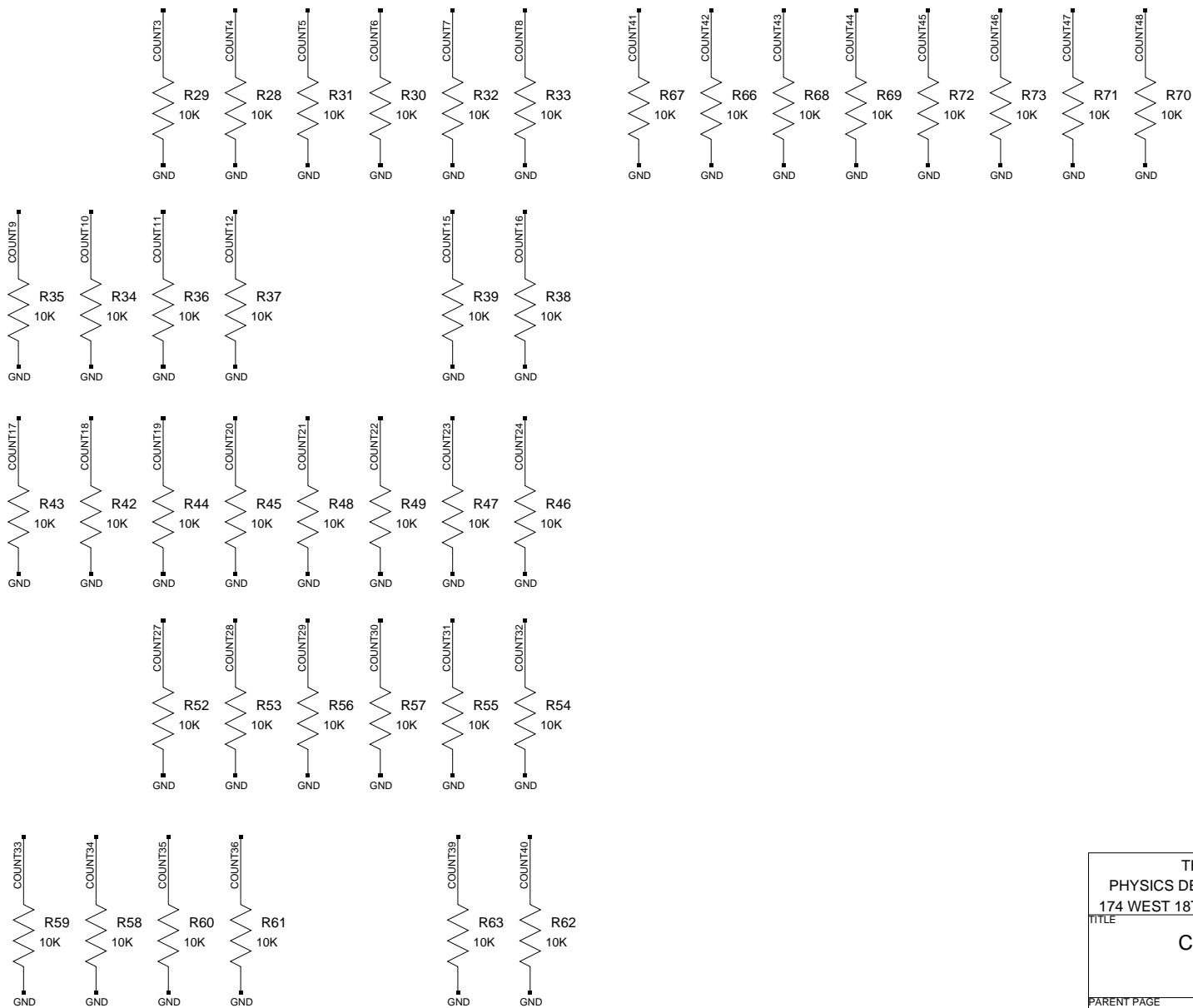
THE OHIO STATE UNIVERSITY  
 PHYSICS DEPARTMENT ELECTRONICS LAB  
 174 WEST 18TH AVE, COLUMBUS OH 43210

TITLE  
**Count Channel Multiplexers for Motherboard #2**  
**BABAR MUON H.V. SYSTEM**

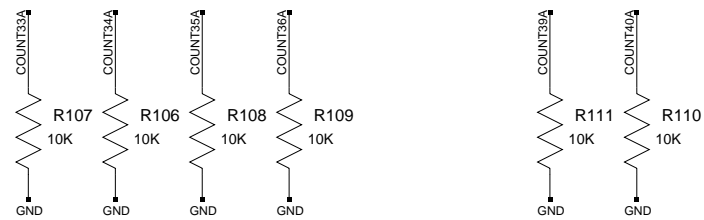
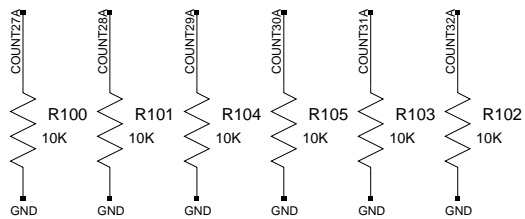
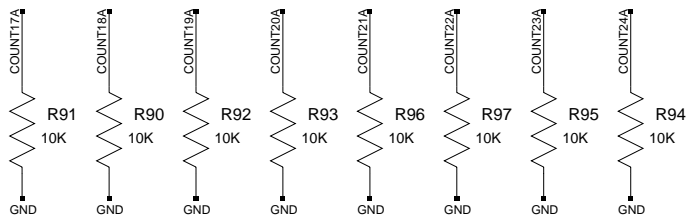
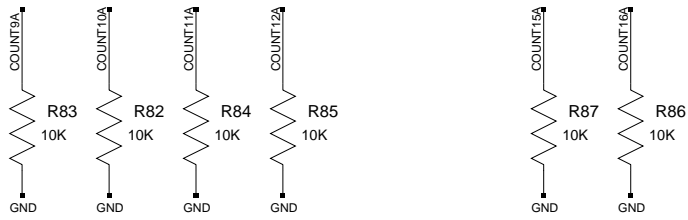
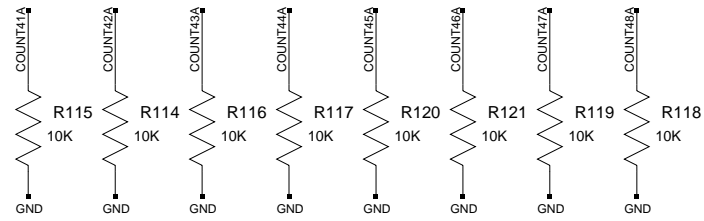
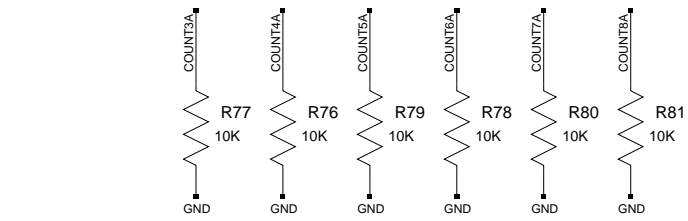
PARENT PAGE PROJECT  
 D776N

BY DATE FILE PAGE  
 DSS 12-28-2003\_13:10 BACKEND. 3

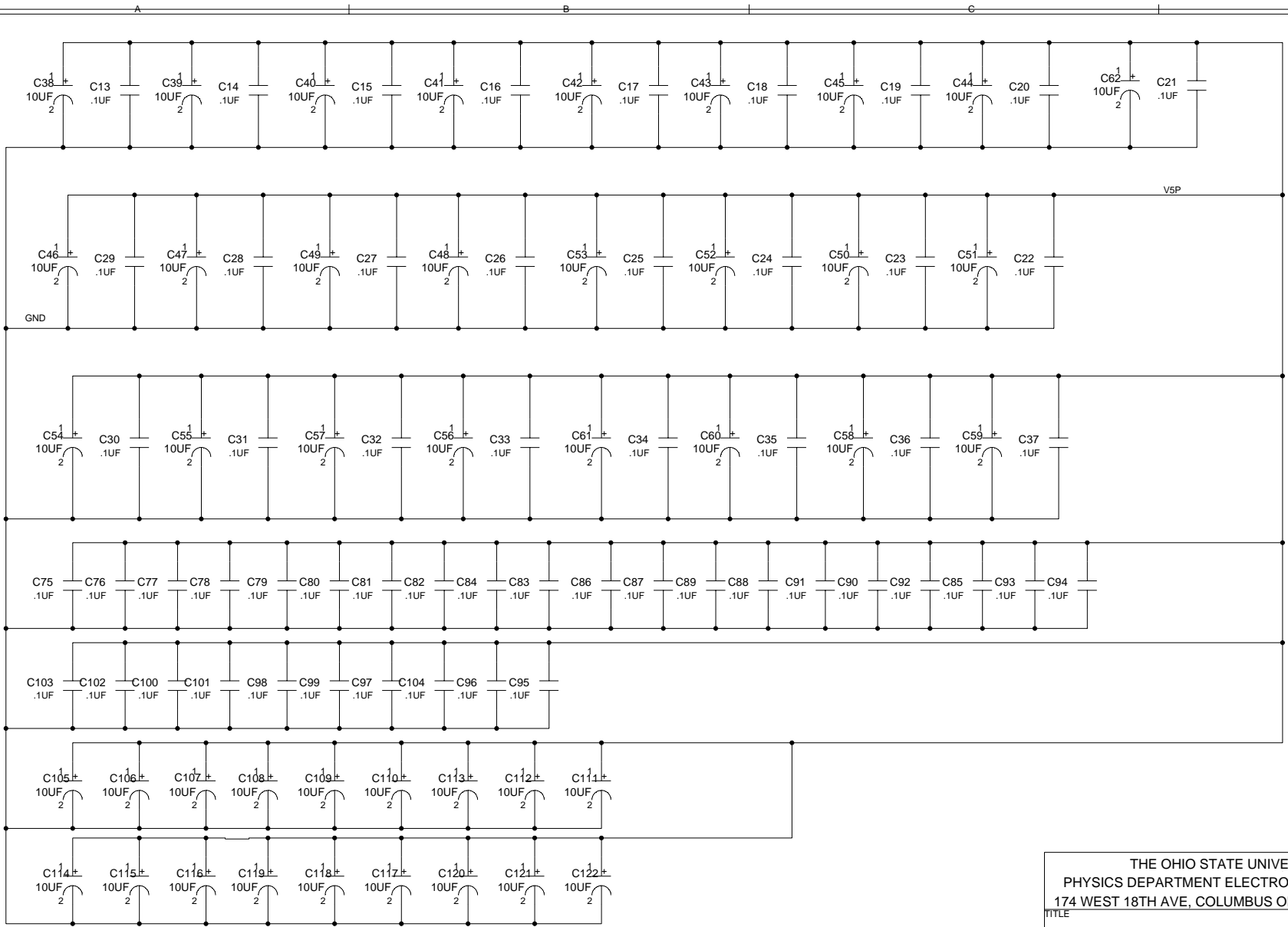
A B C D



THE OHIO STATE UNIVERSITY PHYSICS DEPARTMENT ELECTRONICS LAB 174 WEST 18TH AVE, COLUMBUS OH 43210			
<b>Count Channel Resistors for Motherboard #1</b> <b>BABAR MUON H.V. SYSTEM</b>			
PARENT PAGE		PROJECT	
		D776N	
BY	DATE	FILE	PAGE
DSS	12-27-2003_12:05	BACKEND.	4



THE OHIO STATE UNIVERSITY PHYSICS DEPARTMENT ELECTRONICS LAB 174 WEST 18TH AVE, COLUMBUS OH 43210			
TITLE <b>Count Channel Resistors for Motherboard #2 BABAR MUON H.V. SYSTEM</b>			
PARENT PAGE		PROJECT <b>D776N</b>	
BY <b>DSS</b>	DATE <b>12-27-2003_12:05</b>	FILE <b>BACKEND.</b>	PAGE <b>5</b>

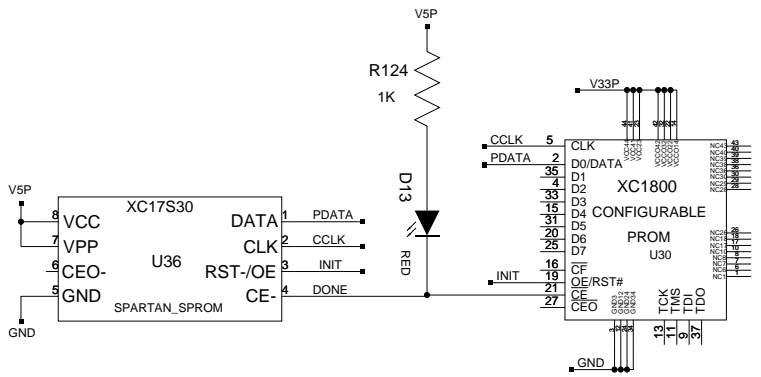
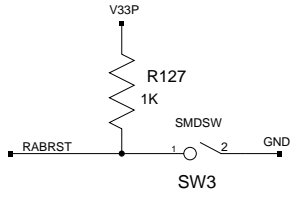
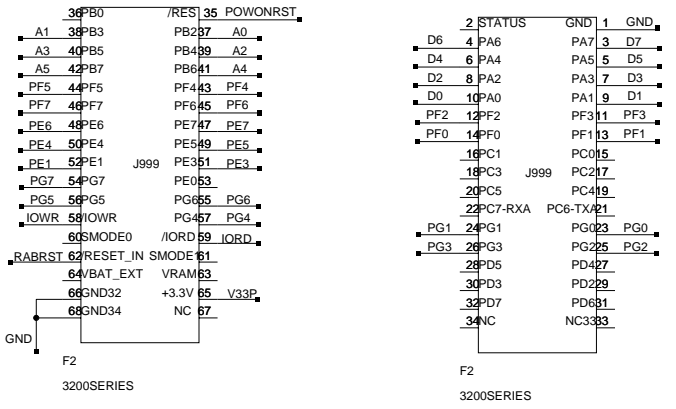


THE OHIO STATE UNIVERSITY PHYSICS DEPARTMENT ELECTRONICS LAB 174 WEST 18TH AVE, COLUMBUS OH 43210			
<b>Bypass Capacitors</b> <b>BABAR MUON H.V. SYSTEM</b>			
PARENT PAGE		PROJECT	
		D776N	
BY	DATE	FILE	PAGE
DSS	12-28-2003_10:31	BACKEND.	6

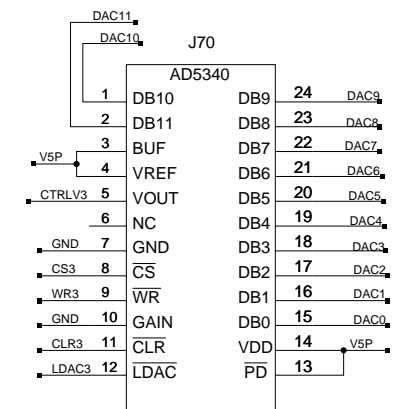
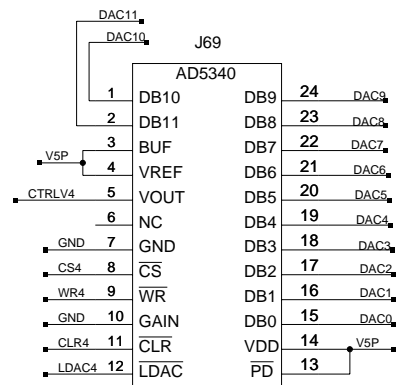




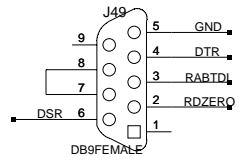
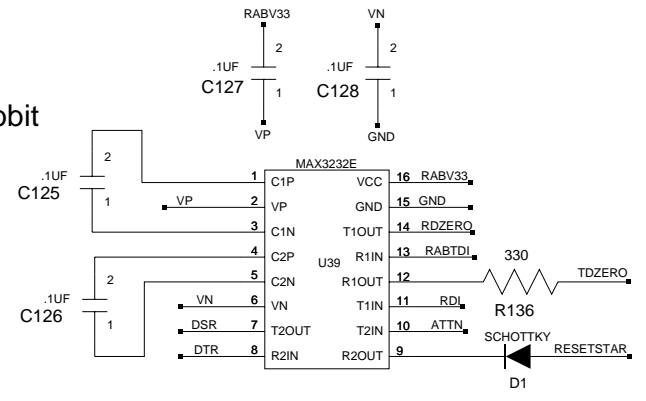
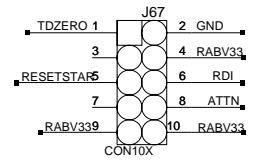
# Rabbit 3200 Connector Ports



## XILINX Configuration PROMS



## Programming Port To Rabbit

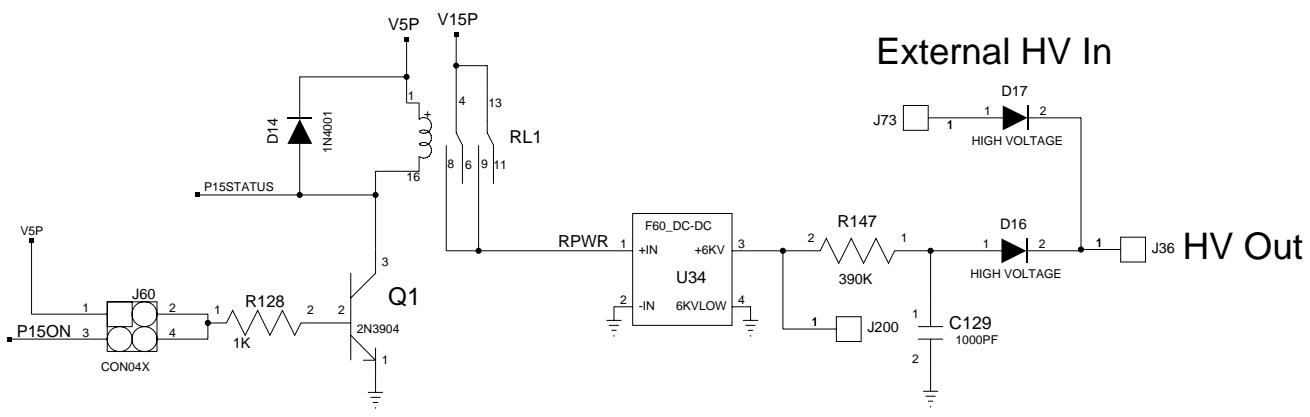
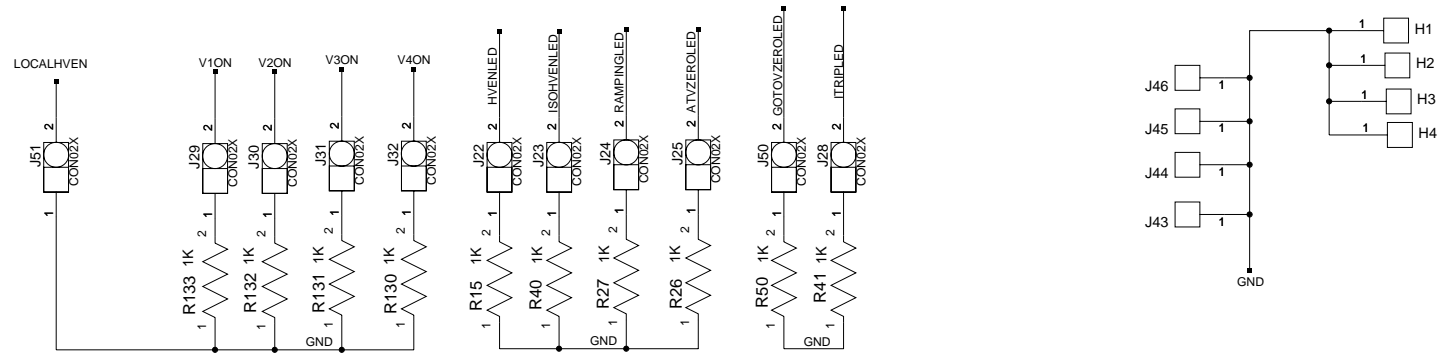
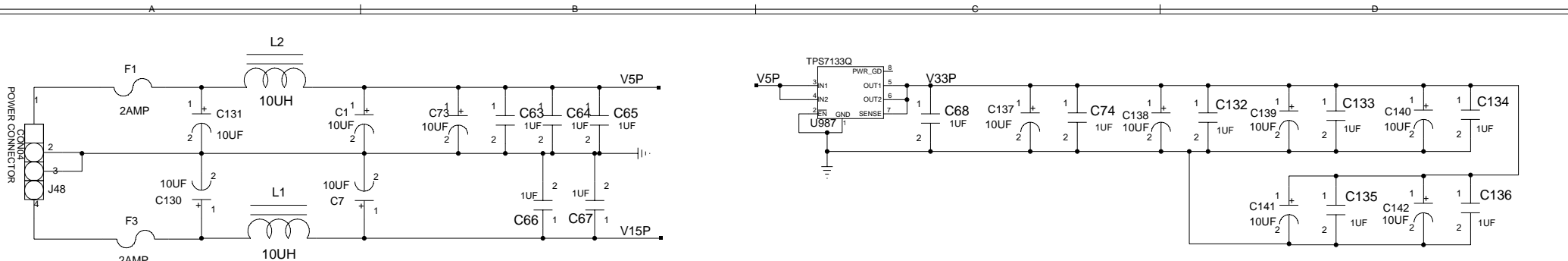


THE OHIO STATE UNIVERSITY  
 PHYSICS DEPARTMENT ELECTRONICS LAB  
 174 WEST 18TH AVE, COLUMBUS OH 43210

TITLE: Rabbit Microcontroller/xilinx proms/DAC3,4  
 BABAR MUON H.V. SYSTEM

PARENT PAGE: PROJECT: D776N

BY: DSS DATE: 12-27-2003\_13:28 FILE: BACKEND. PAGE: 8

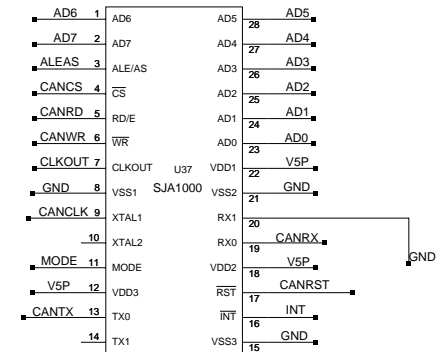
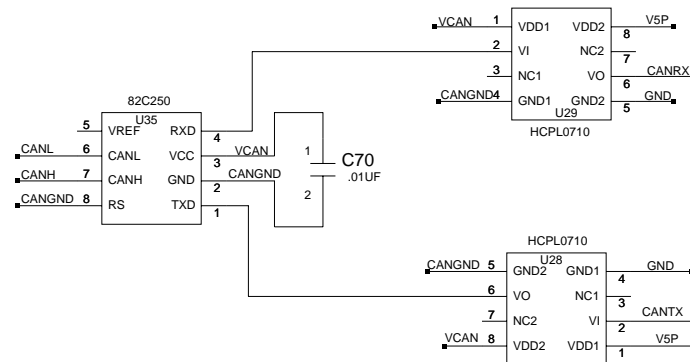
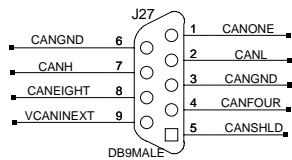
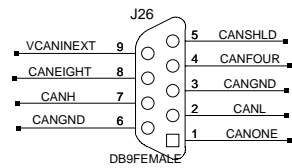
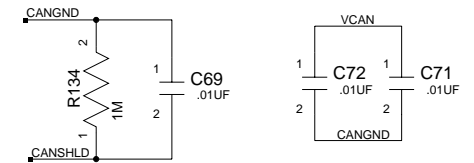
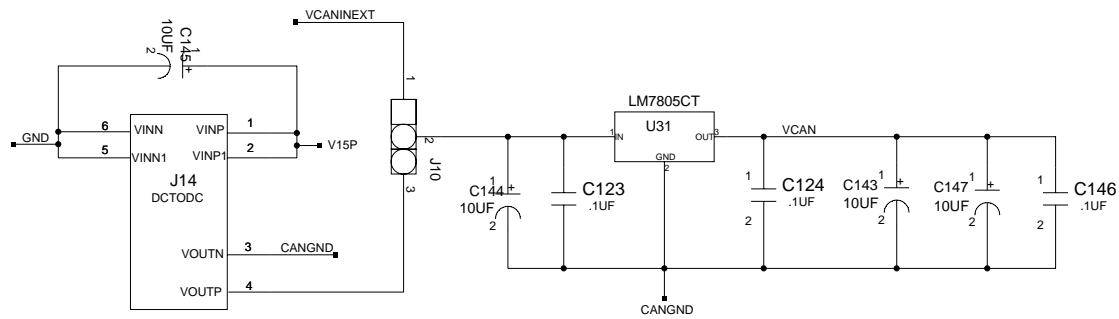


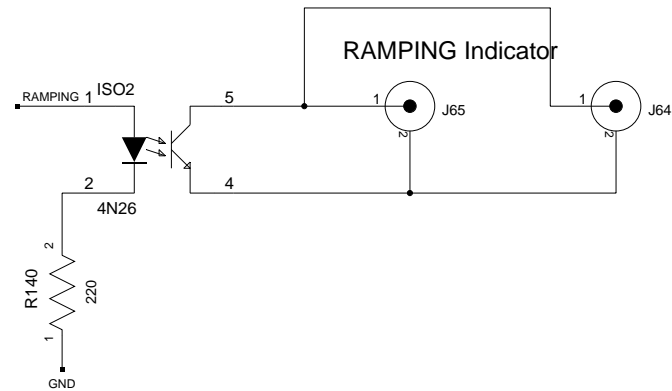
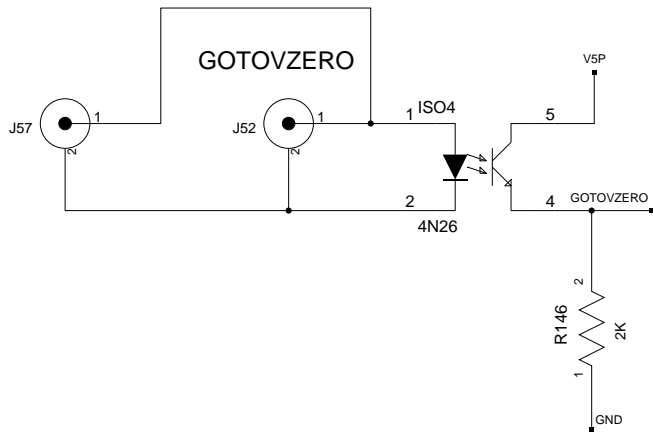
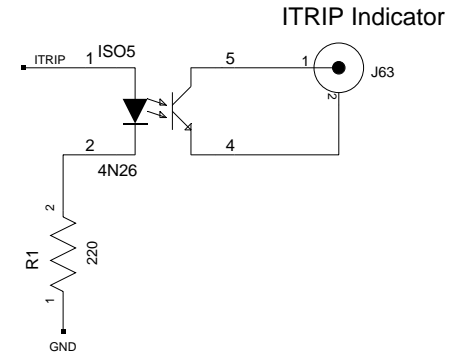
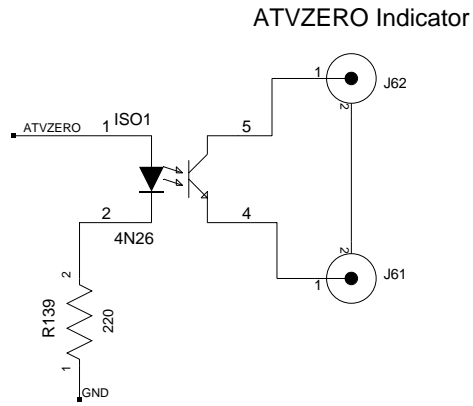
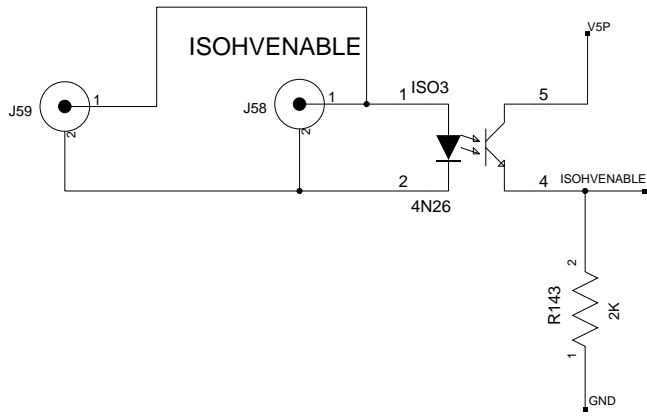
THE OHIO STATE UNIVERSITY  
 PHYSICS DEPARTMENT ELECTRONICS LAB  
 174 WEST 18TH AVE, COLUMBUS OH 43210

TITLE  
**Power Supply Stuff**  
**BABAR MUON H.V. SYSTEM**

PARENT PAGE PROJECT  
 D776N

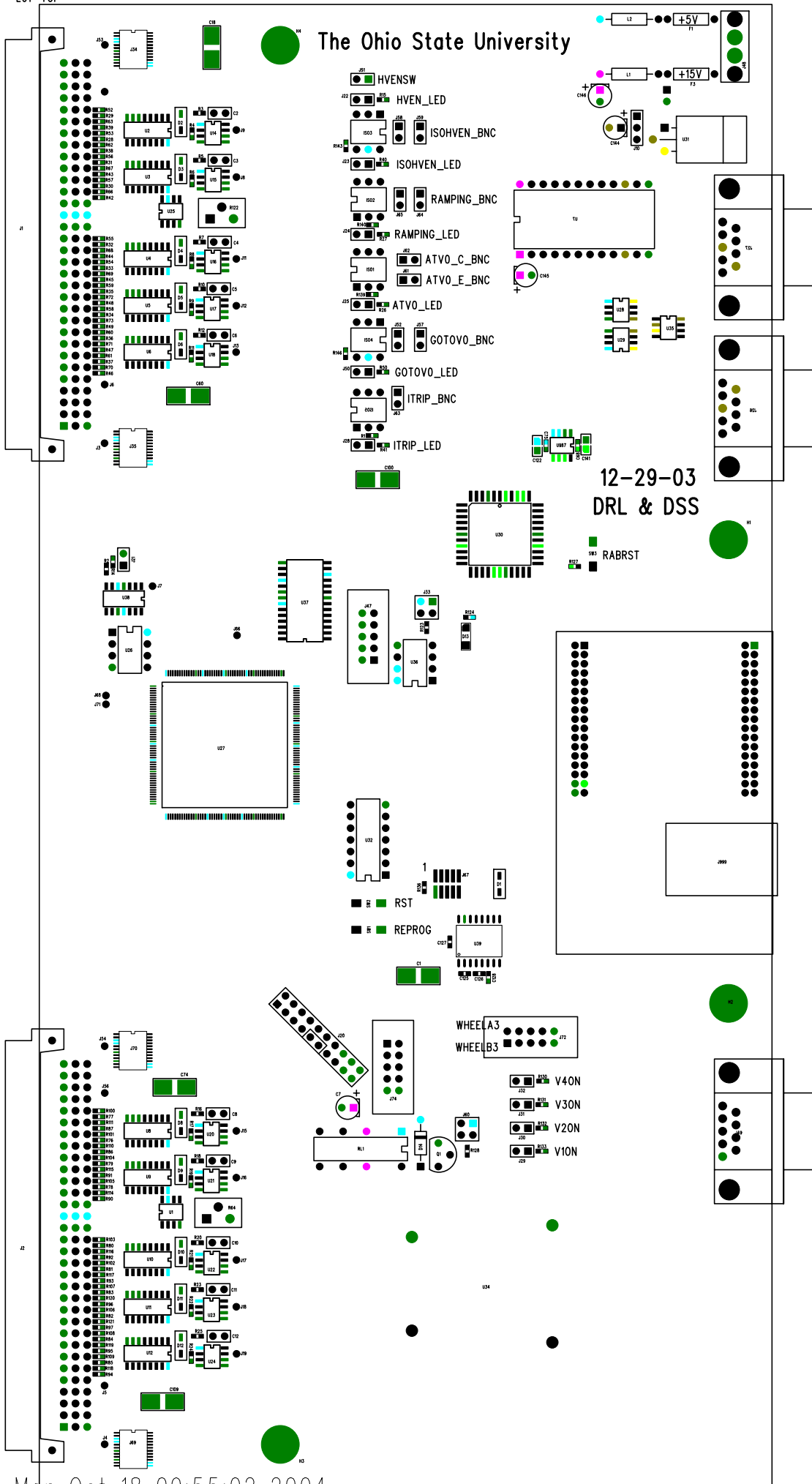
BY DATE FILE PAGE  
 DSS 12-29-2003\_9:38 BACKEND. 9





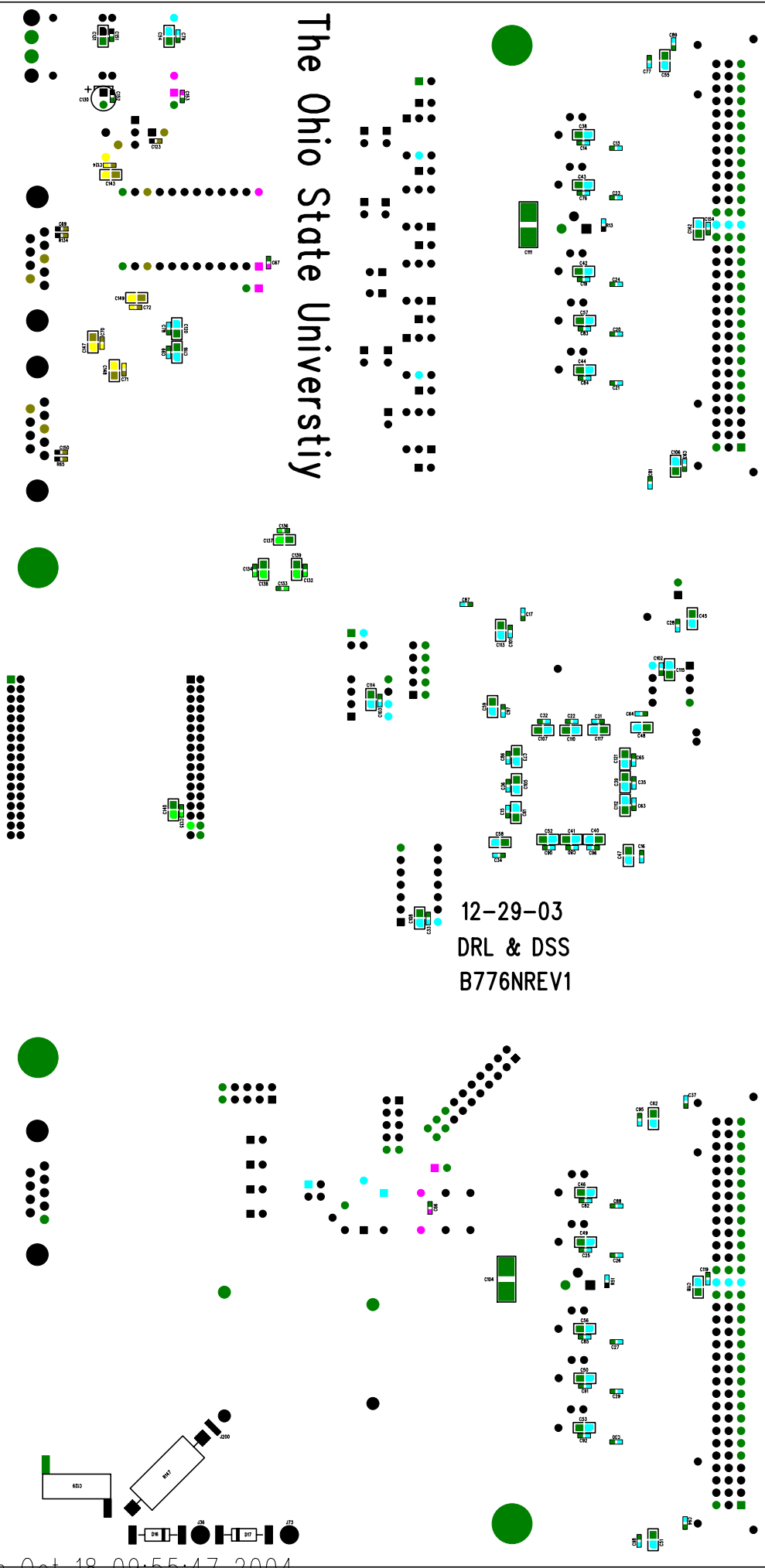
THE OHIO STATE UNIVERSITY PHYSICS DEPARTMENT ELECTRONICS LAB 174 WEST 18TH AVE, COLUMBUS OH 43210			
TITLE <b>Opto-Couplers BABAR MUON H.V. SYSTEM</b>			
PARENT PAGE	PROJECT		D776N
BY DSS	DATE 12-28-2003_10:47	FILE BACKEND.	PAGE 11

# The Ohio State University



12-29-03  
DRL & DSS

The Ohio State University



12-29-03  
DRL & DSS  
B776NREV1

