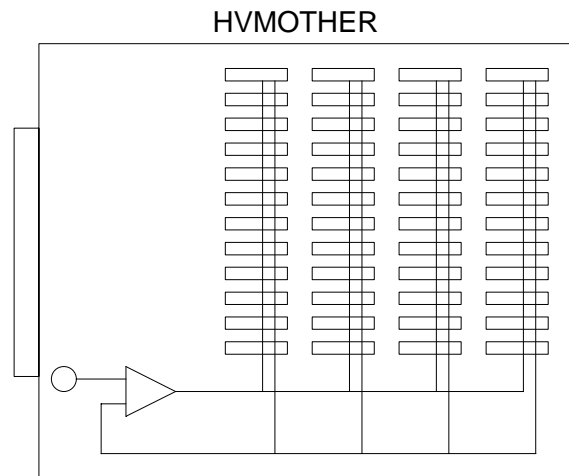
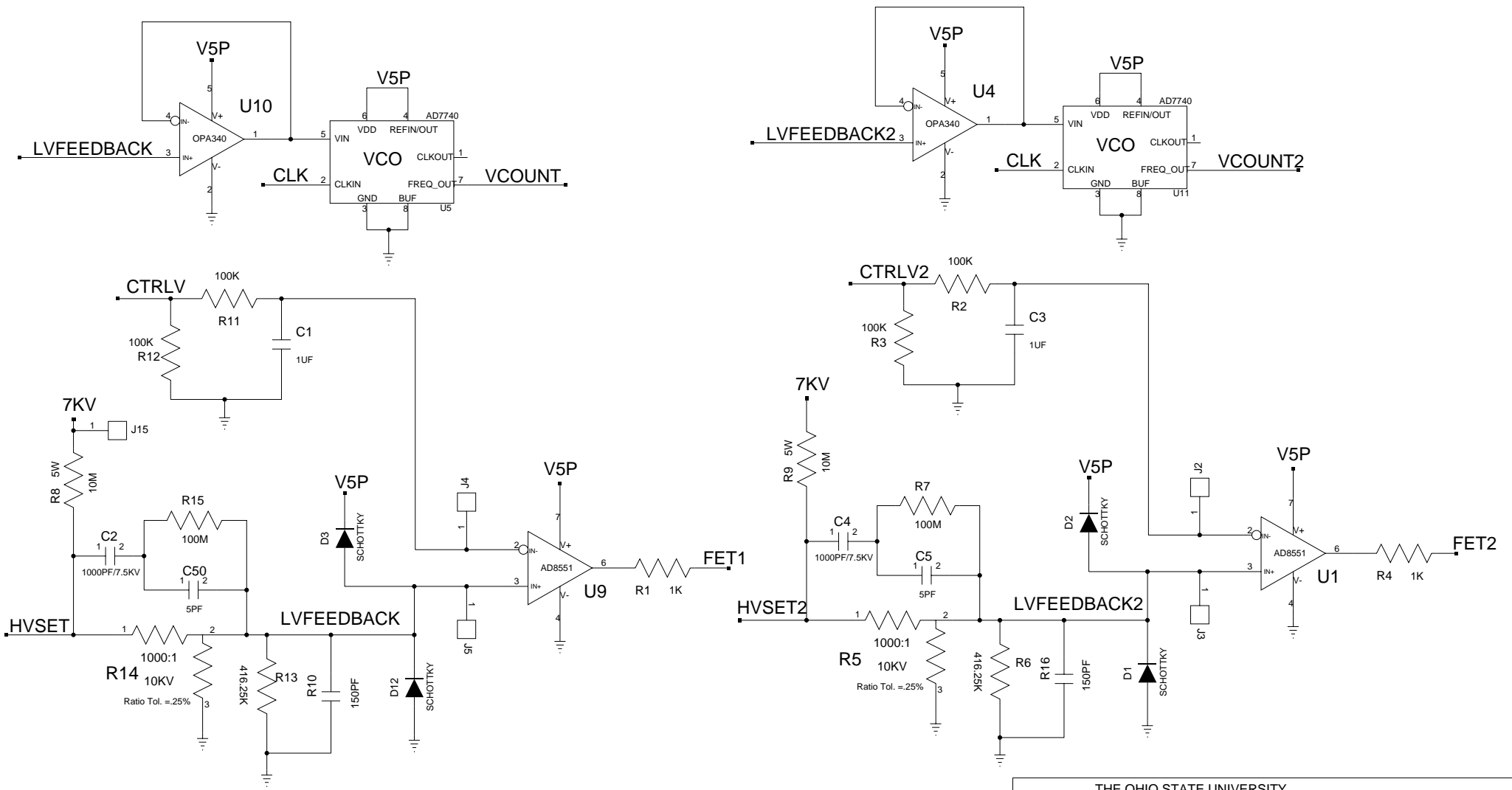


D776R

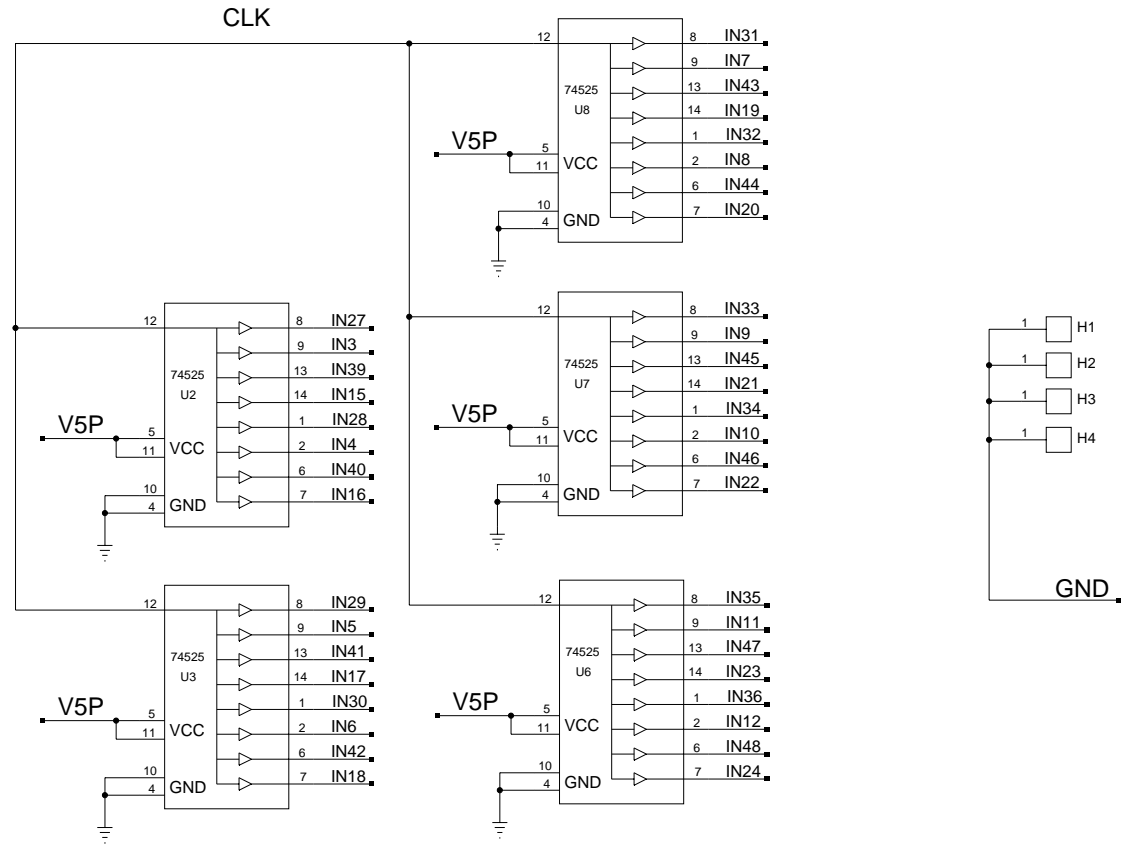
Mother Board for Housing Current Measurement and Diode
Protection Modules, Part of the
High Voltage Power Supply System for the BABAR MUON Chambers



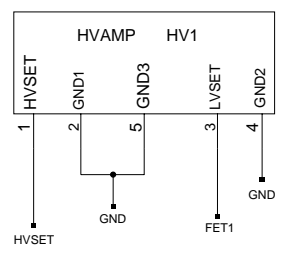
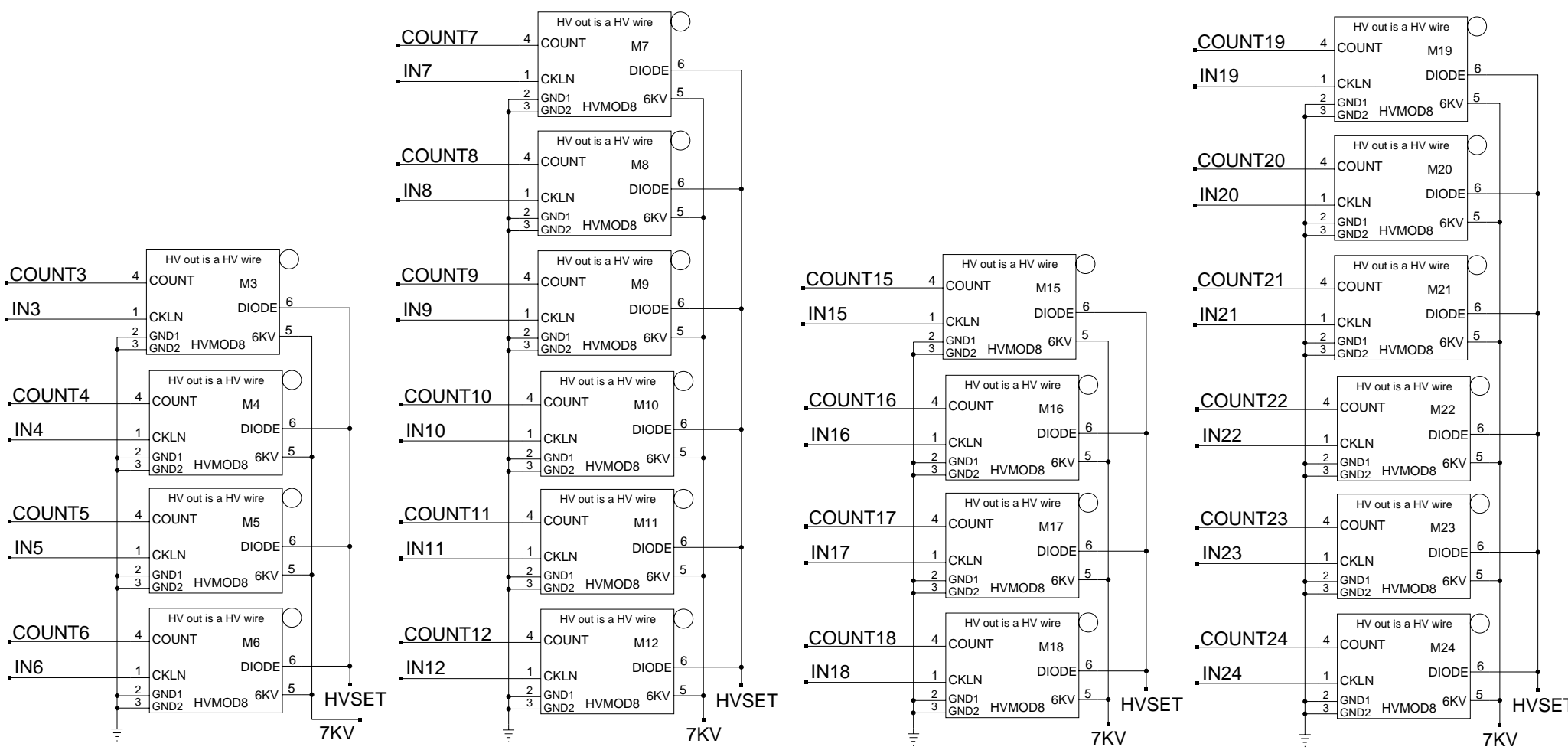
ELECTRONICS LAB
PHYSICS DEPARTMENT
THE OHIO STATE UNIVERSITY
174 WEST 18TH AVE
COLUMBUS OHIO 43210

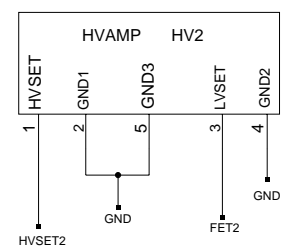
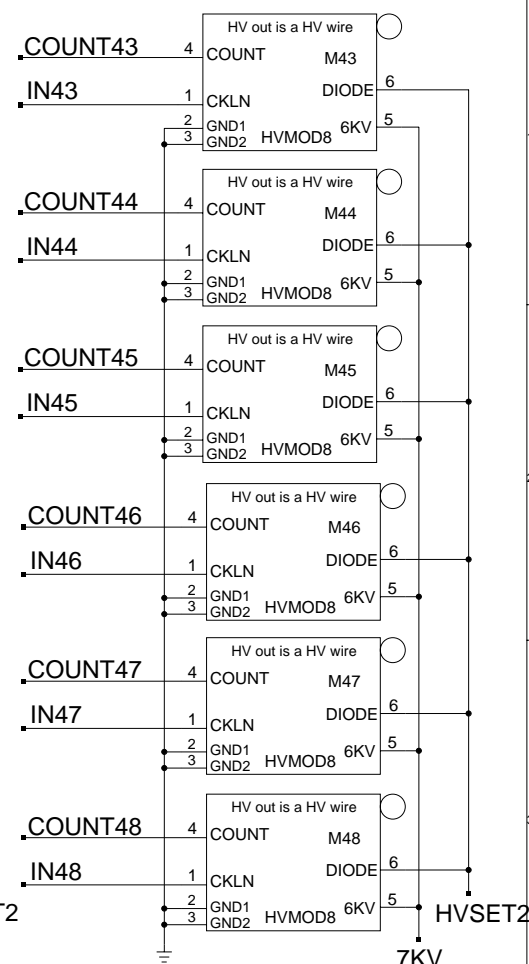
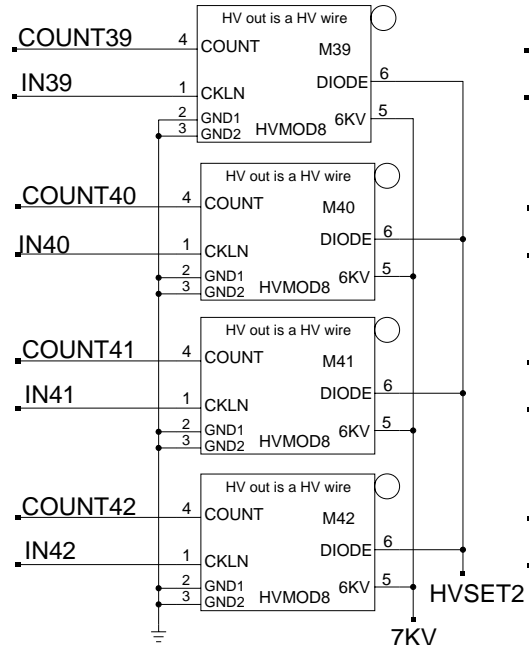
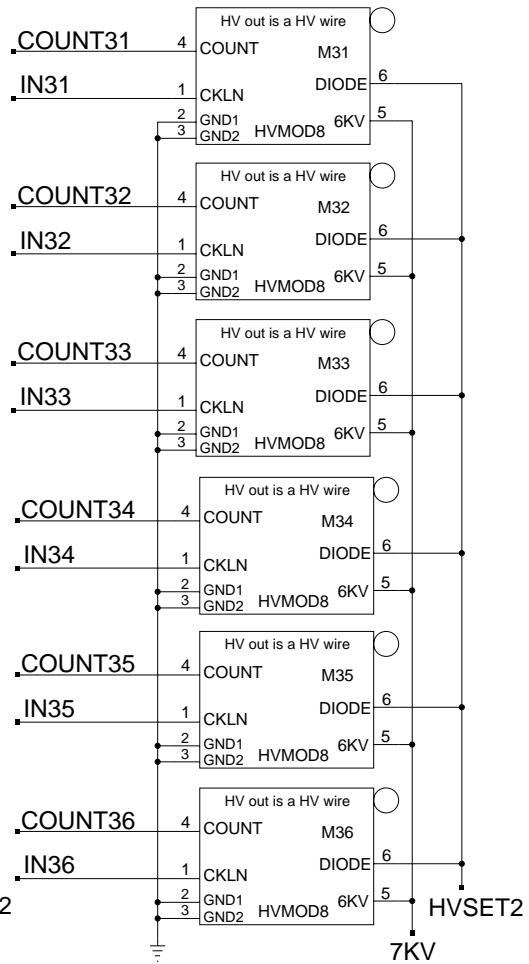
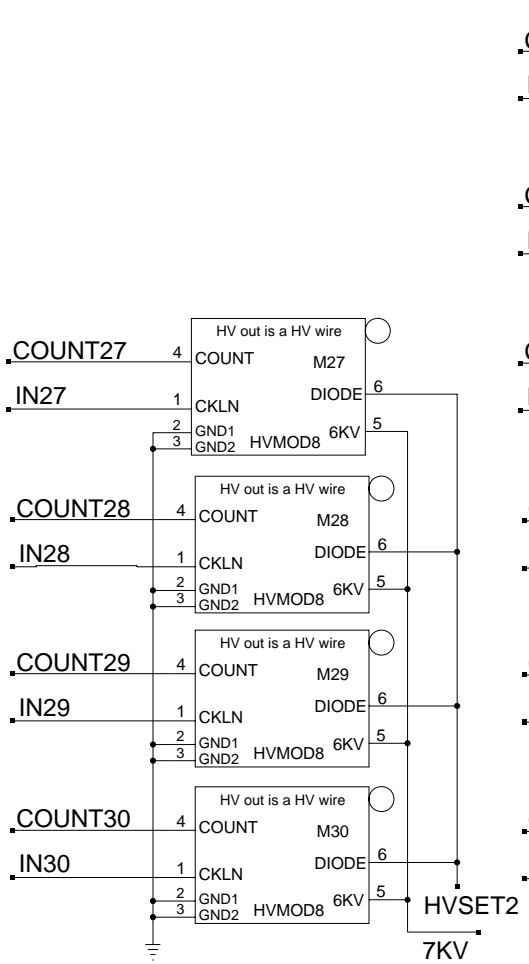


THE OHIO STATE UNIVERSITY PHYSICS DEPARTMENT ELECTRONICS LAB 174 WEST 18TH AVE, COLUMBUS OH 43210			
TITLE High Voltage OP-AMP BABAR MUON H.V. SYSTEM			
PARENT PAGE		PROJECT D776R	
BY DSS	DATE 10-18-2004_10:37	FILE HVMOTHER.	PAGE 1

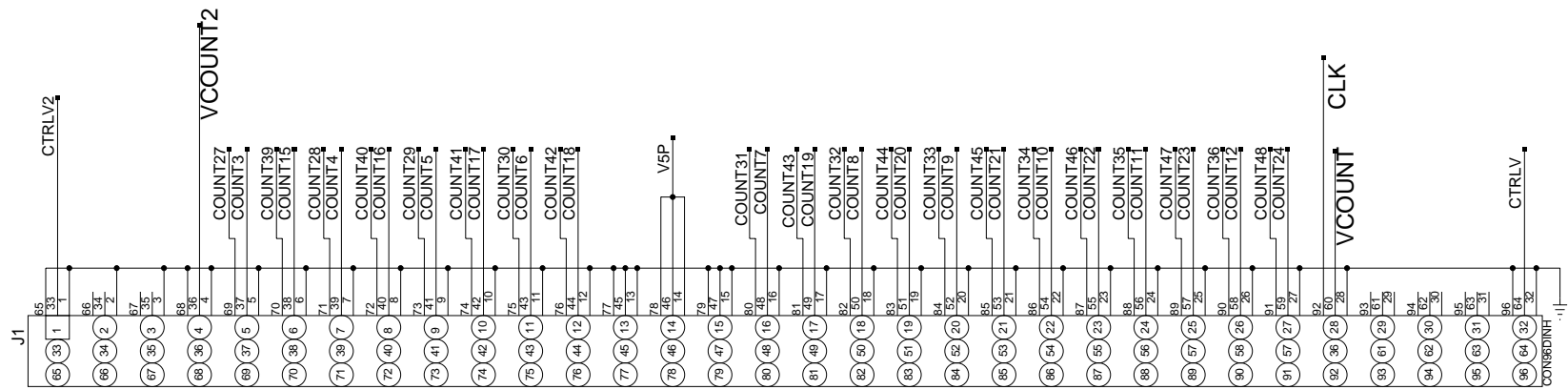


THE OHIO STATE UNIVERSITY PHYSICS DEPARTMENT ELECTRONICS LAB 174 WEST 18TH AVE, COLUMBUS OH 43210			
TITLE Clock Drivers BABAR MUON H.V. SYSTEM			
PARENT PAGE		PROJECT D776R	
BY	DATE 11-26-2003_16:07	FILE HVMOTHER.	PAGE 2

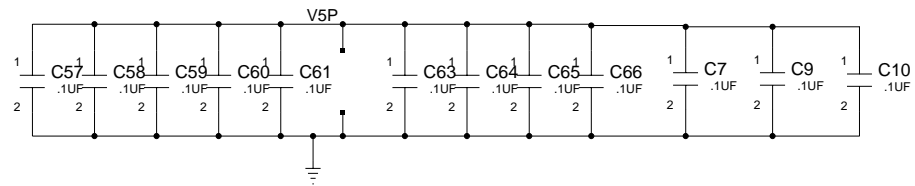
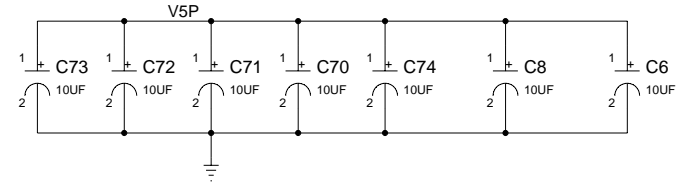
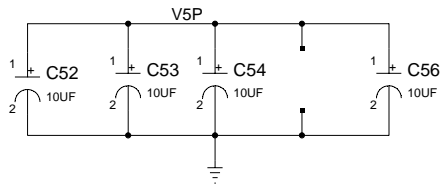
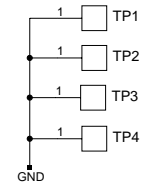
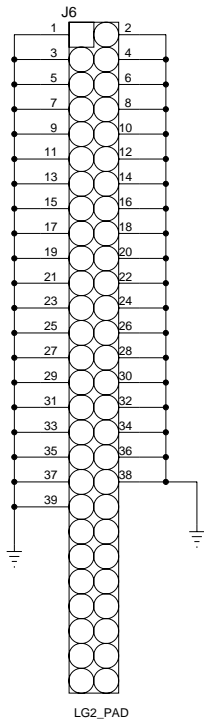




THE OHIO STATE UNIVERSITY PHYSICS DEPARTMENT ELECTRONICS LAB 174 WEST 18TH AVE, COLUMBUS OH 43210			
TITLE Current Monitoring Modules, Channels 25-48 BABAR MUON H.V. SYSTEM			
PARENT PAGE		PROJECT D776R	
BY	DATE 12-2-2003_14:56	FILE HVMOTHER.	PAGE 4

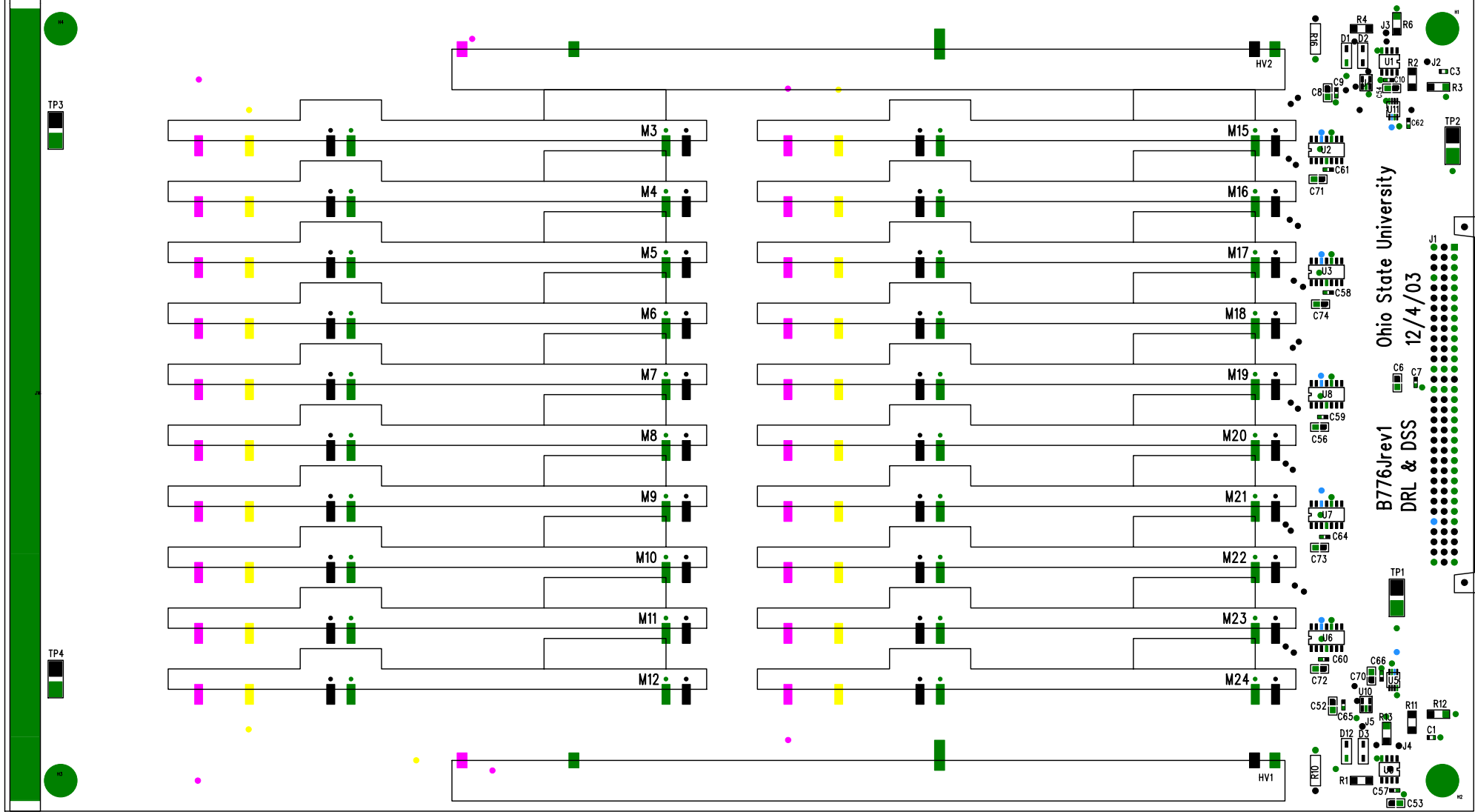


THE OHIO STATE UNIVERSITY PHYSICS DEPARTMENT ELECTRONICS LAB 174 WEST 18TH AVE, COLUMBUS OH 43210			
96 PIN CONNECTOR BABAR MUON H.V. SYSTEM			
PARENT PAGE		PROJECT	
		D776R	
BY	DATE	FILE	PAGE
	12-2-2003_14:56	HVMOTHER.	5



THE OHIO STATE UNIVERSITY PHYSICS DEPARTMENT ELECTRONICS LAB 174 WEST 18TH AVE, COLUMBUS OH 43210			
TITLE bypass caps BABAR MUON H.V. SYSTEM			
PARENT PAGE		PROJECT D776R	
BY	DATE 12-2-2003_14:56	FILE HVMOTHER.	PAGE 6

L01 TOP



Ohio State University
12/4/03
B776Jrev1
DRL & DSS

B776Jrev1

