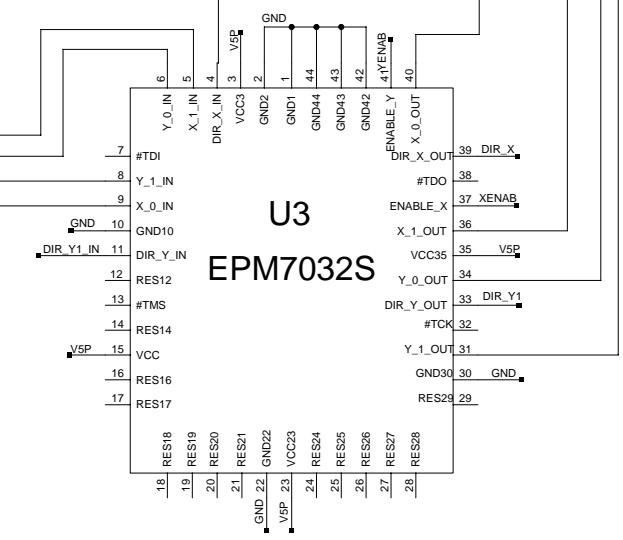
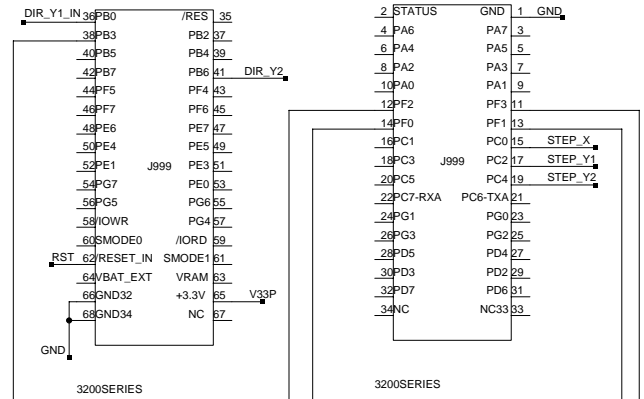


Rabbit 3200 Connector Ports



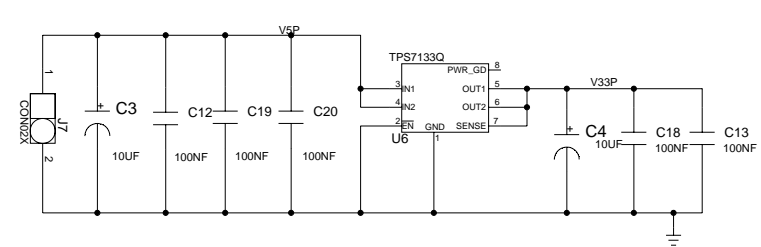
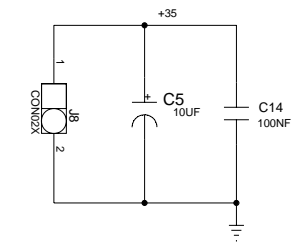
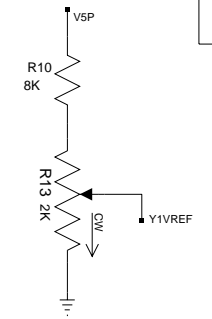
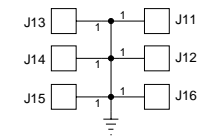
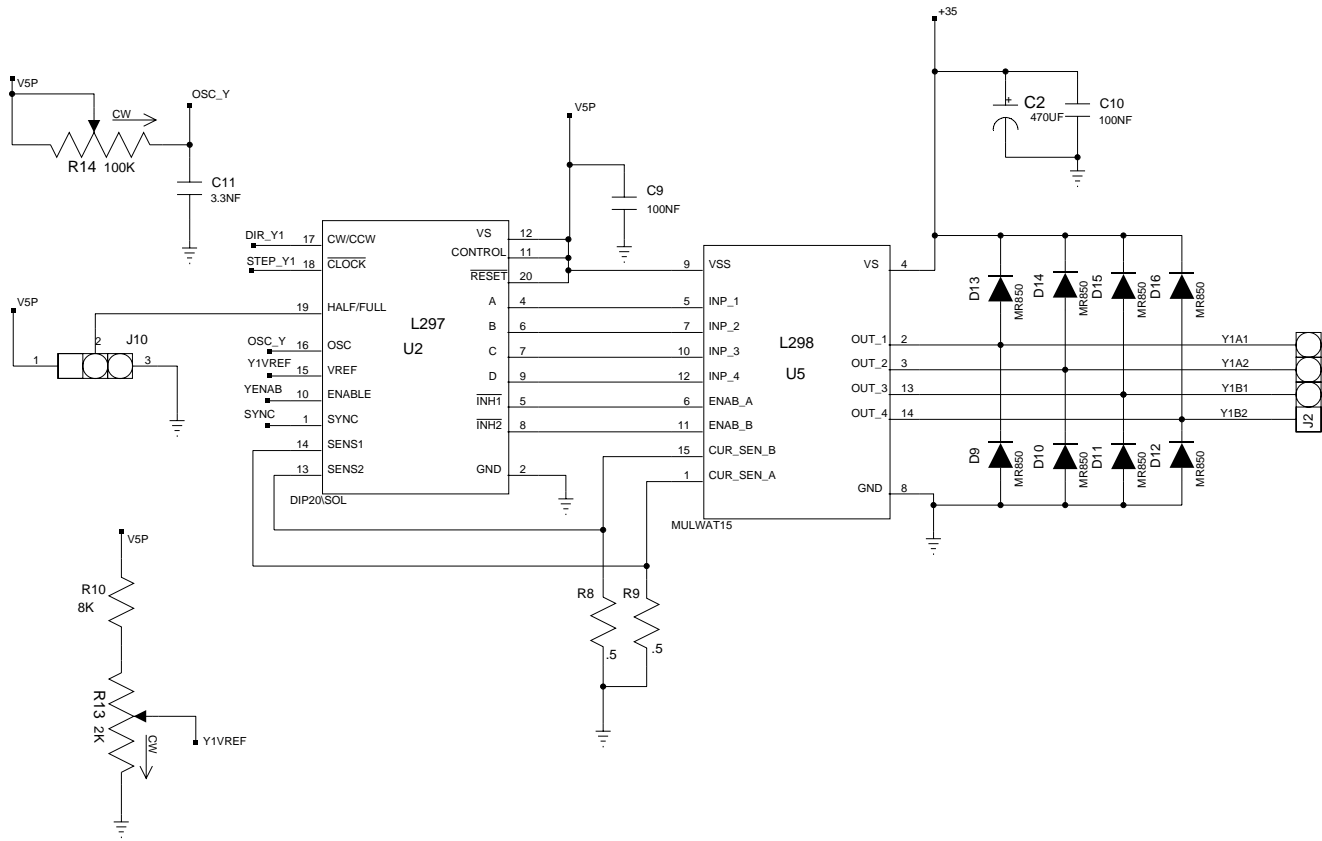
Limit Switches

THE OHIO STATE UNIVERSITY
 PHYSICS DEPARTMENT ELECTRONICS LAB
 174 WEST 18TH AVE, COLUMBUS OH 43210

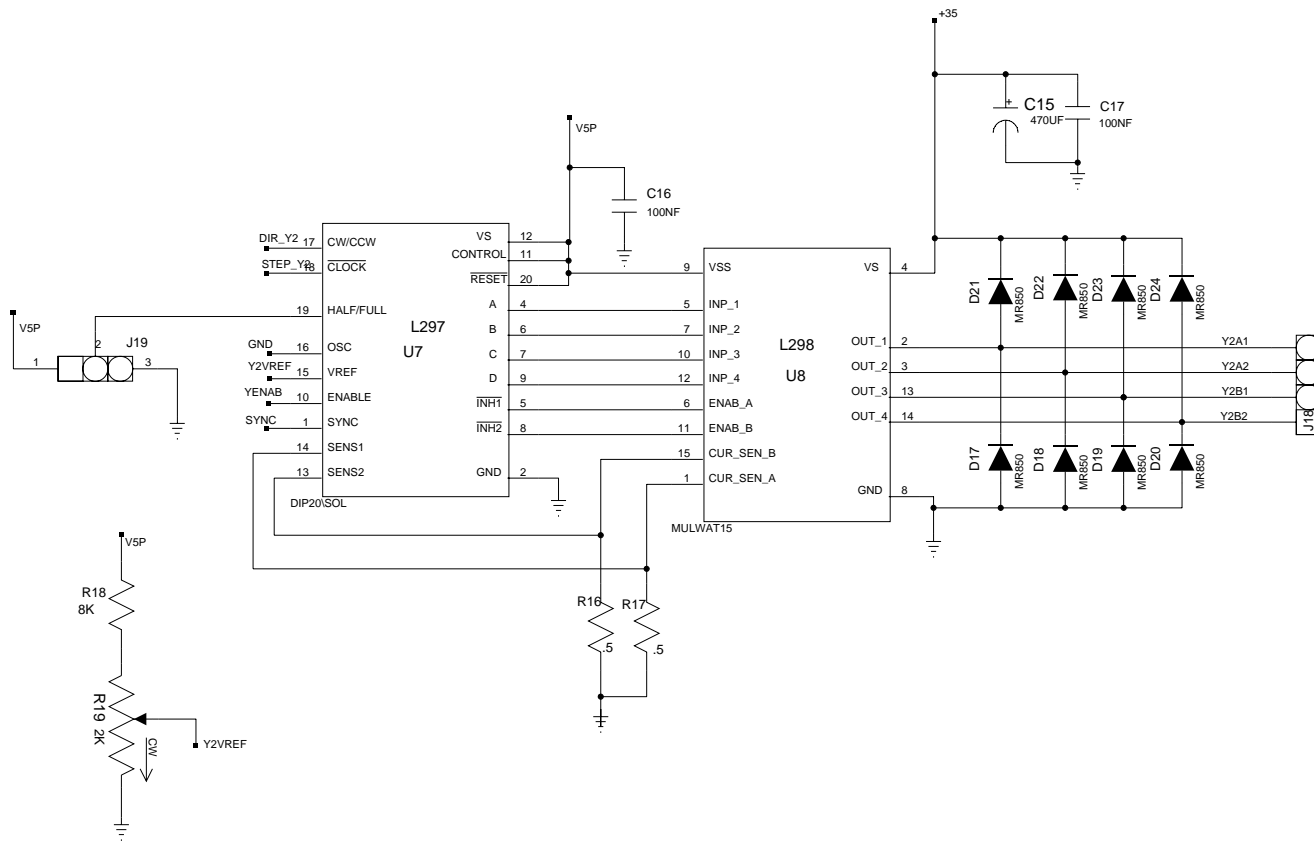
TITLE: **LST Scanning Table 2 Axis Stepper Motor Control**
BABAR MUON DETECTOR: LIMITED STREAMER TUBE SYSTEM

PARENT PAGE: PROJECT: **D776M**

BY: **RTK** DATE: **1-6-2004_14:21** FILE: **D776M.** PAGE: **1**



THE OHIO STATE UNIVERSITY PHYSICS DEPARTMENT ELECTRONICS LAB 174 WEST 18TH AVE, COLUMBUS OH 43210			
TITLE LST Scanning Table 2 Axis Stepper Motor Control BABAR MUON LIMITED STREAMER TUBE SYSTEM			
PARENT PAGE		PROJECT	
		D776M	
BY	DATE	FILE	PAGE
RTK	1-6-2004_14:21	D776M.	2



THE OHIO STATE UNIVERSITY PHYSICS DEPARTMENT ELECTRONICS LAB 174 WEST 18TH AVE, COLUMBUS OH 43210			
TITLE LST Scanning Table 2 Axis Stepper Motor Control BABAR MUON LIMITED STREAMER TUBE SYSTEM			
PARENT PAGE		PROJECT D776M	
BY RTK	DATE 1-6-2004_14:21	FILE D776M.	PAGE 3