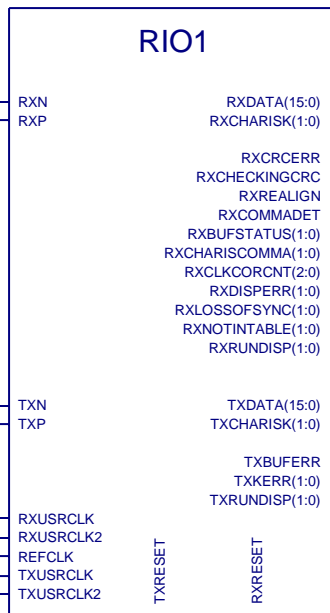
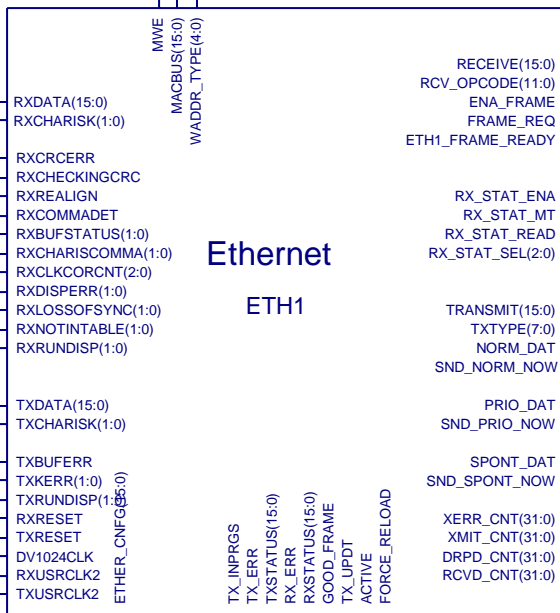


Title: VME Master and System Controller	
Subtitle: Start-up and Shutdown Sequencing	
Project: D783C	Revision: 3.6F
Name: Gigabit Ethernet VME Controller	
Date: Wed Nov 15 13:40:31 2006	Sheet 1 of 9

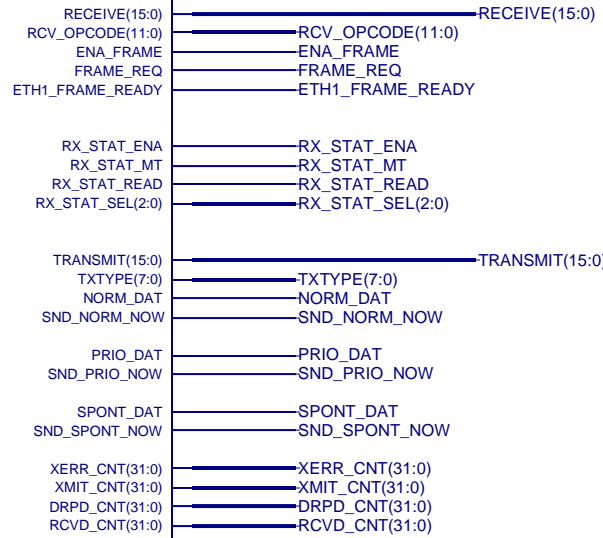
multi_gigabit_xcvr



WADDR_TYPE(4:0)
MACBUS(15:0)
MWE

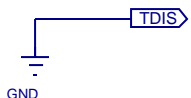


Ethernet ETH1

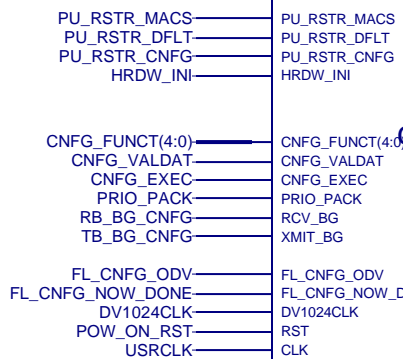
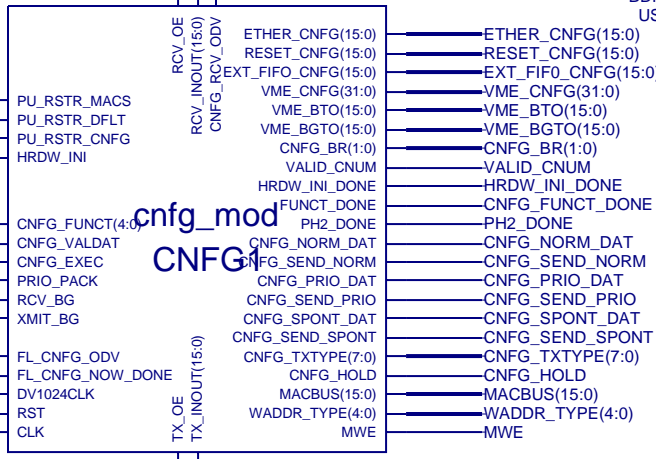
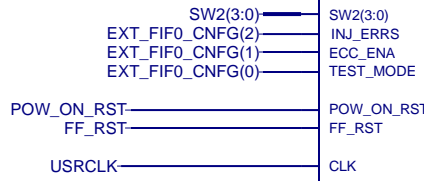
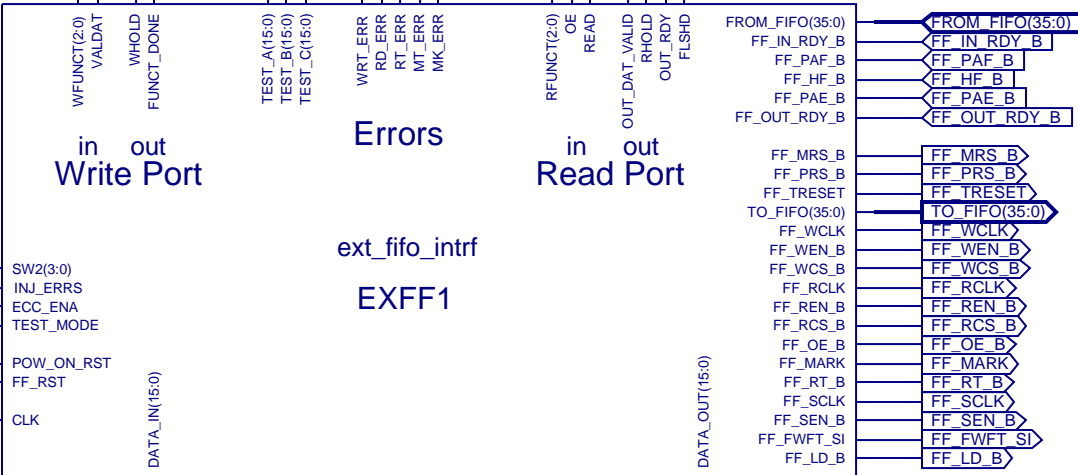
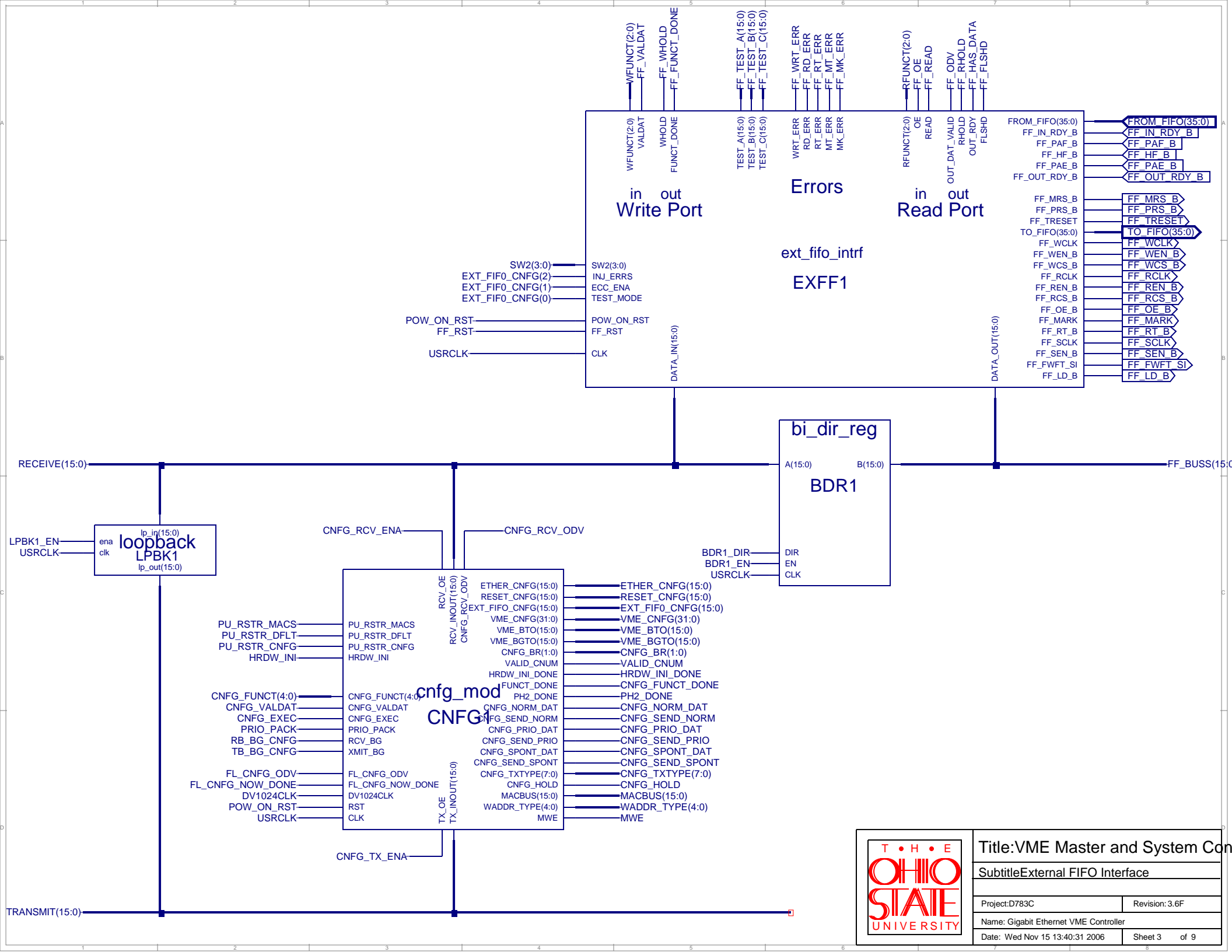


MAC_RXRESET
MAC_TXRESET
DV1024CLK
USRCLK
ETHER_CNFG(15:0)

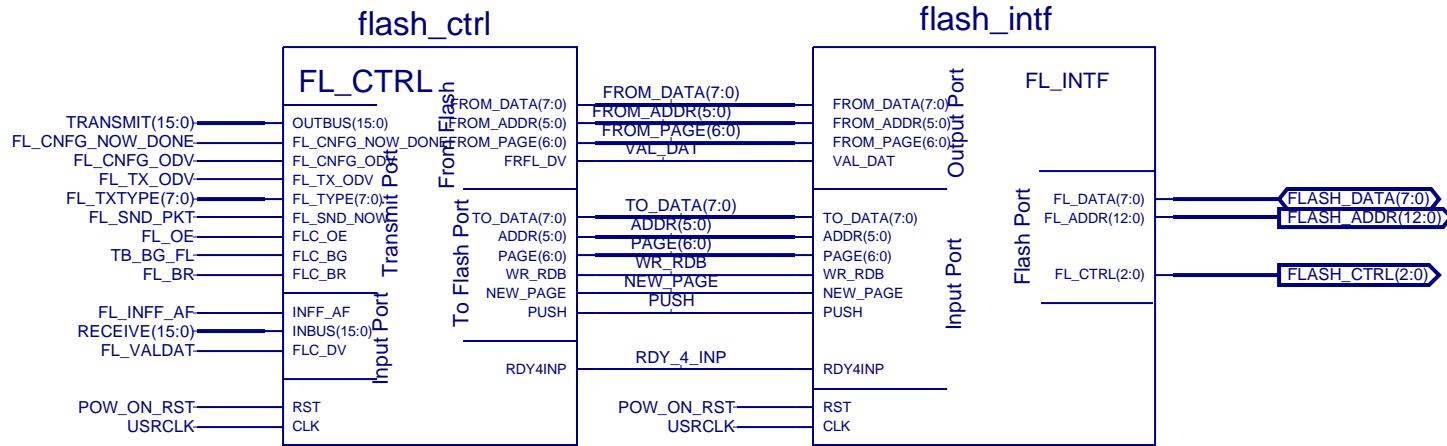
TXRESET
RXRESET



Title: VME Master and System Controller	
Subtitle: Ethernet Module	
Project: D783C	Revision: 3.6F
Name: Gigabit Ethernet VME Controller	
Date: Wed Nov 15 13:40:31 2006	Sheet 2 of 9



Title: VME Master and System Controller	
Subtitle: External FIFO Interface	
Project: D783C	Revision: 3.6F
Name: Gigabit Ethernet VME Controller	
Date: Wed Nov 15 13:40:31 2006	Sheet 3 of 9



Title:VME Master and System Con	
SubtitleFlash Memory Interface	
Project:D783C	Revision:3.6F
Name: Gigabit Ethernet VME Controller	
Date: Wed Nov 15 13:40:31 2006	Sheet 4 of 9



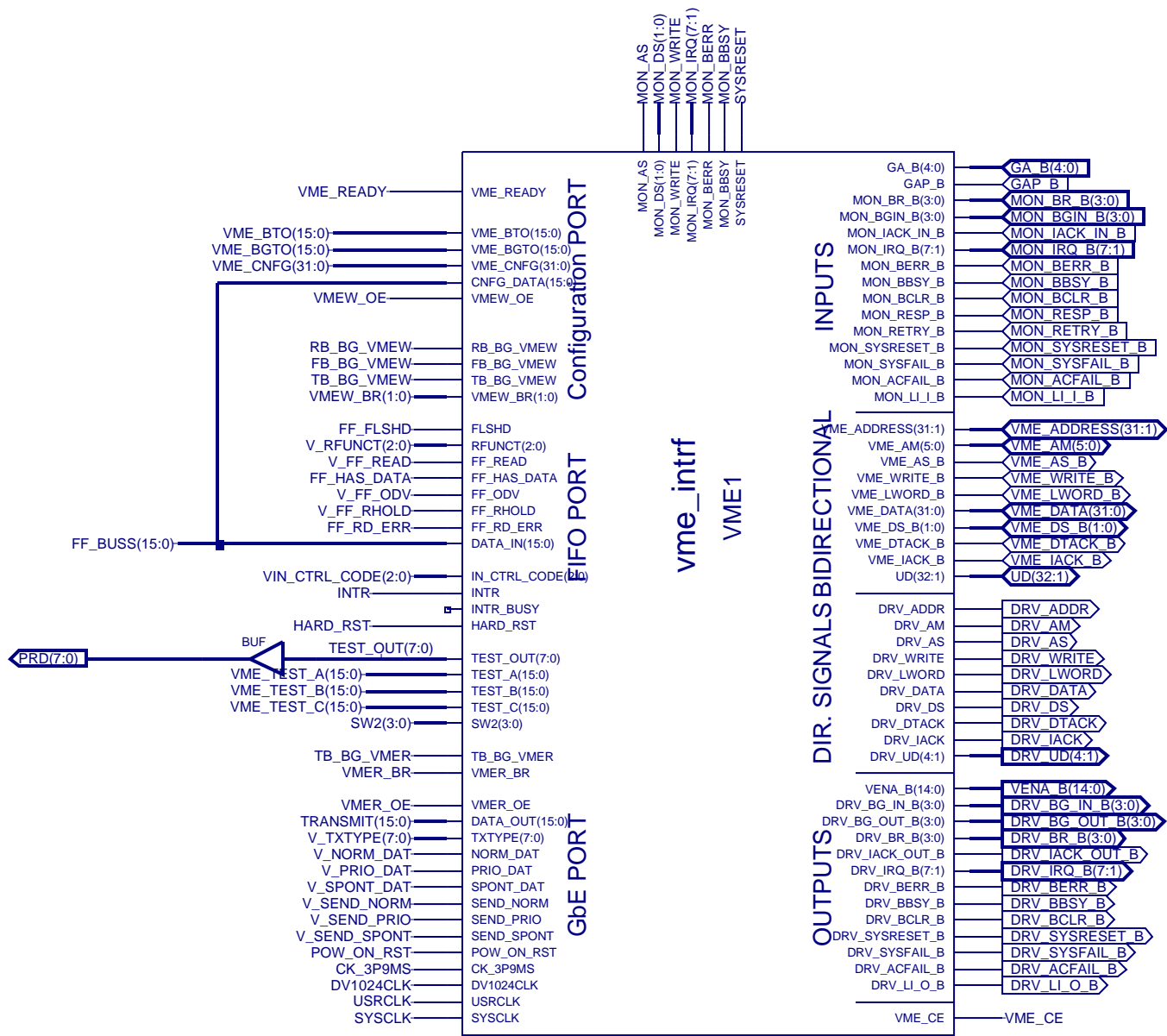
Title:VME Master and System Con

Subtitle:JTAG Interface

Project:D783C Revision:3.6F

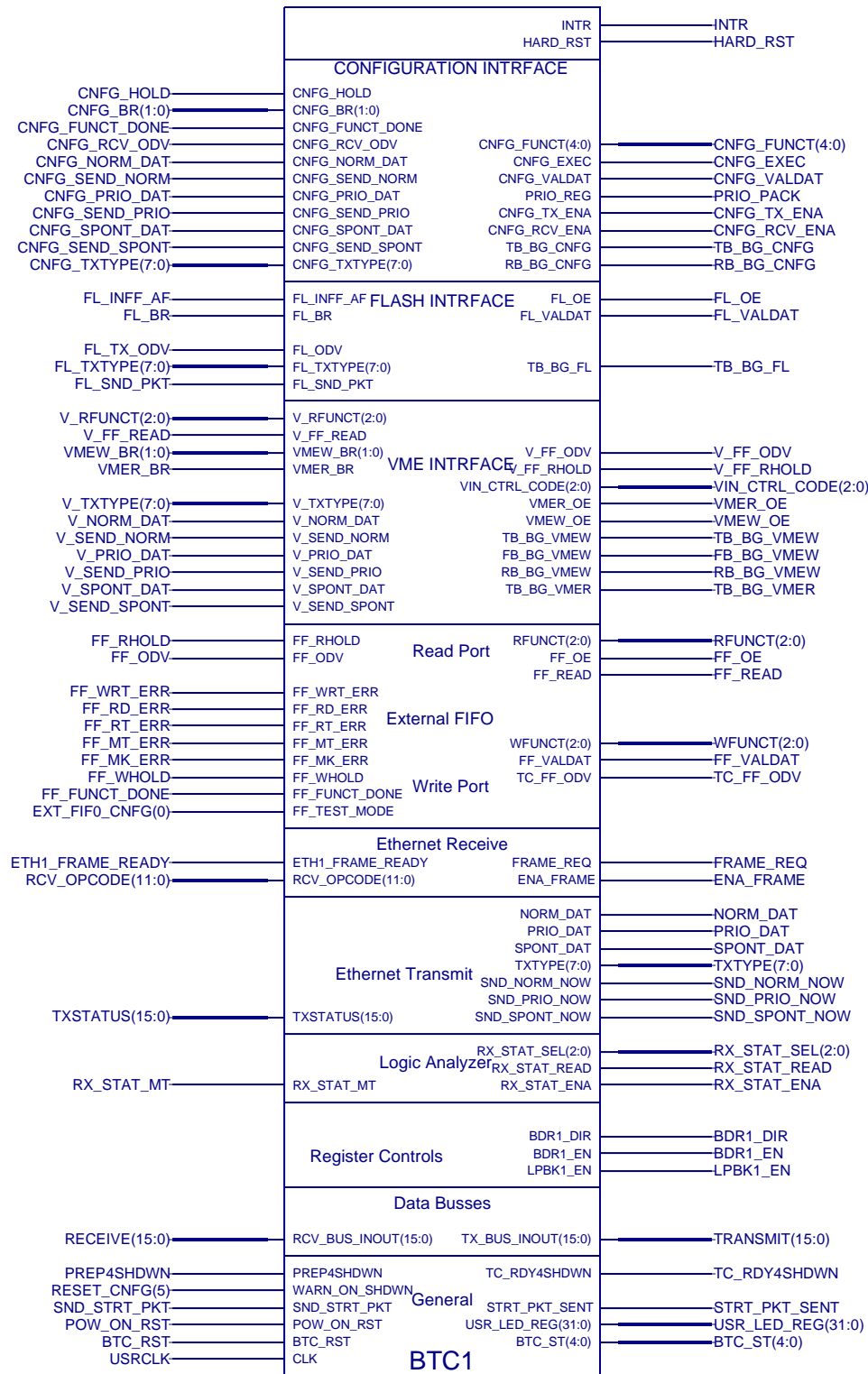
Name: Gigabit Ethernet VME Controller

Date: Wed Nov 15 13:40:31 2006 Sheet 5 of 9



Title: VME Master and System Controller	
Subtitle: VME Interface	
Project: D783C	Revision: 3.6F
Name: Gigabit Ethernet VME Controller	
Date: Wed Nov 15 13:40:31 2006	Sheet 6 of 9

traffic_ctrl



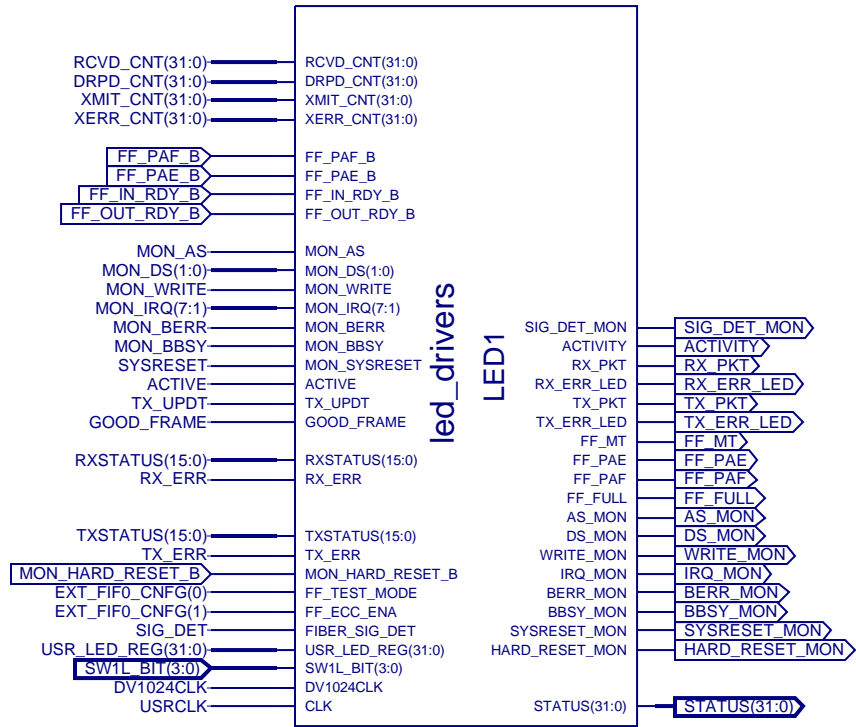
Title: VME Master and System Controller

Subtitle: Bus Traffic Controller

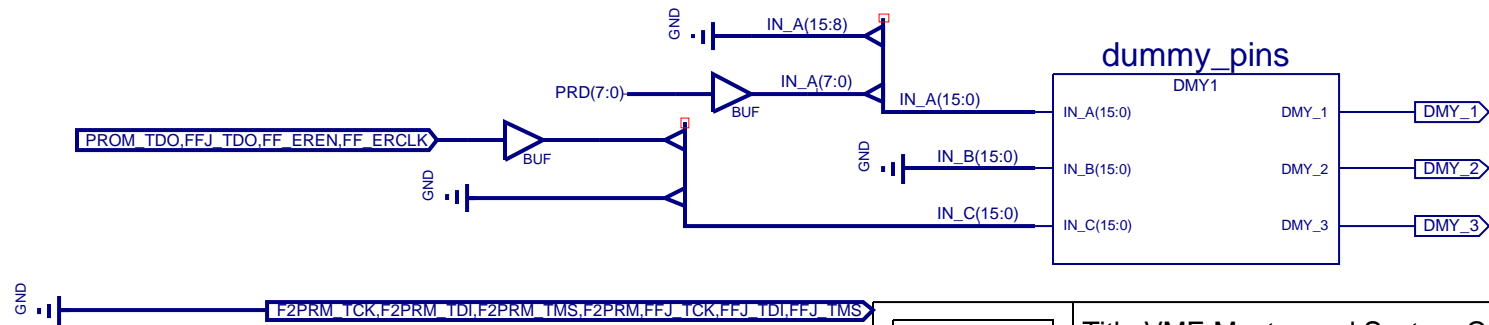
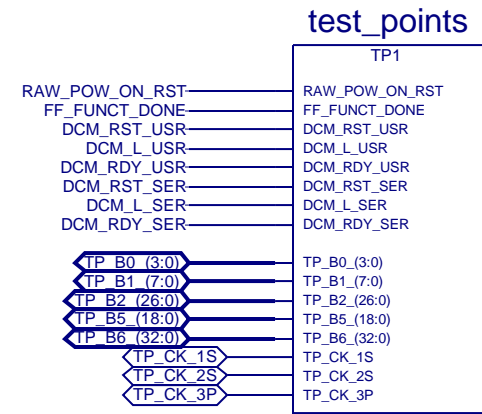
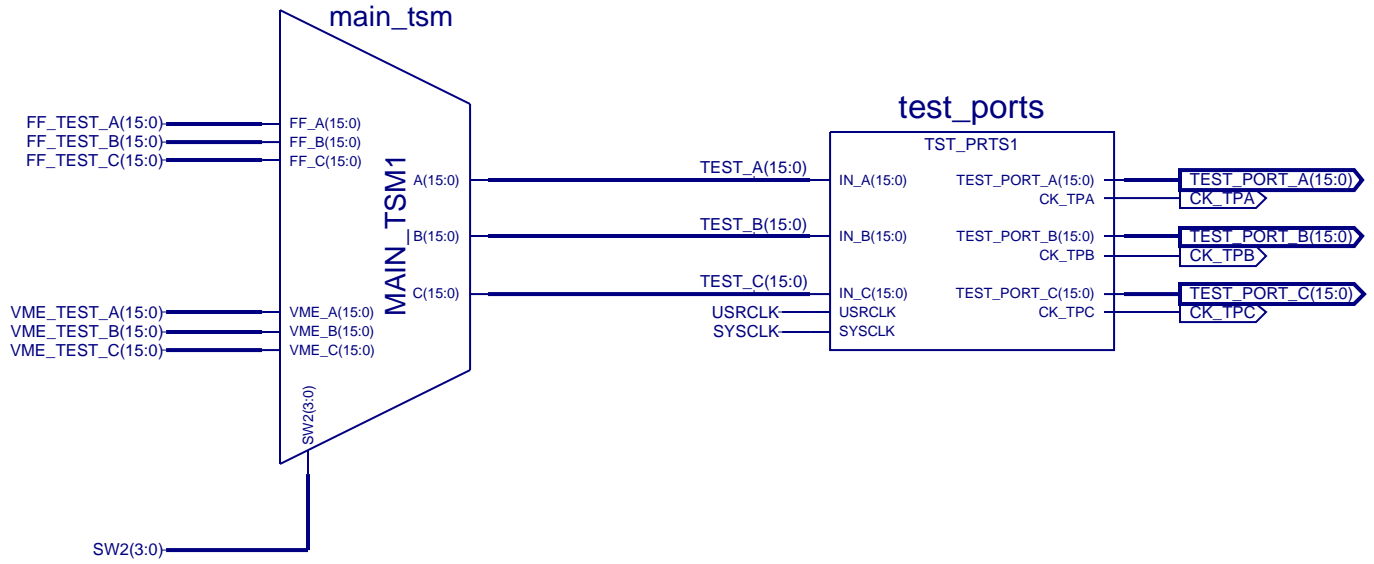
Project: D783C Revision: 3.6F

Name: Gigabit Ethernet VME Controller

Date: Wed Nov 15 13:40:31 2006 Sheet 7 of 9



Title: VME Master and System Controller	
Subtitle: Status and Monitoring (LEDs)	
Project: D783C	Revision: 3.6F
Name: Gigabit Ethernet VME Controller	
Date: Wed Nov 15 13:40:31 2006	Sheet 8 of 9



Title: VME Master and System Controller

Subtitle: Test Ports and Test Points

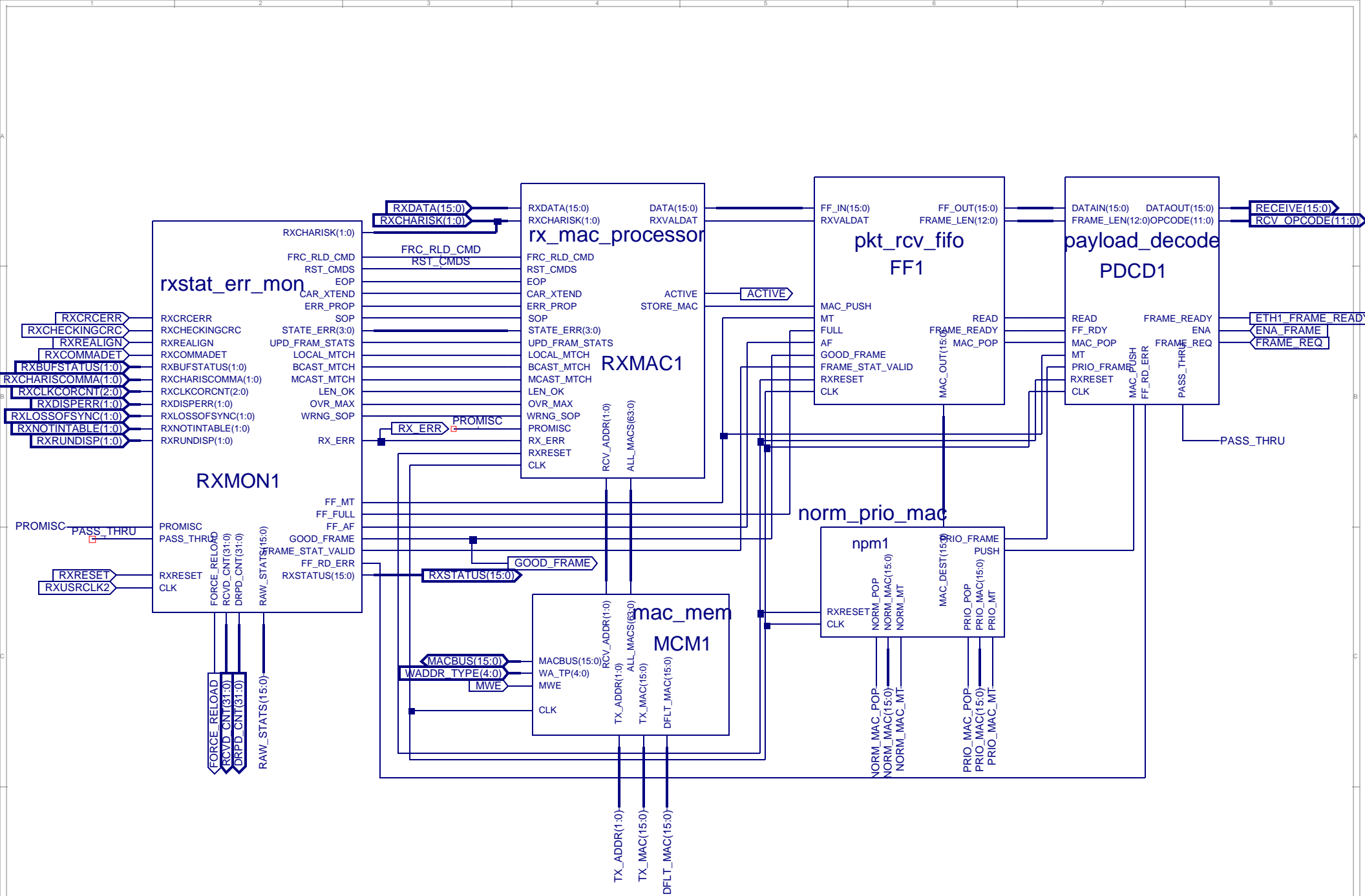
Project: D783C

Revision: 3.6F

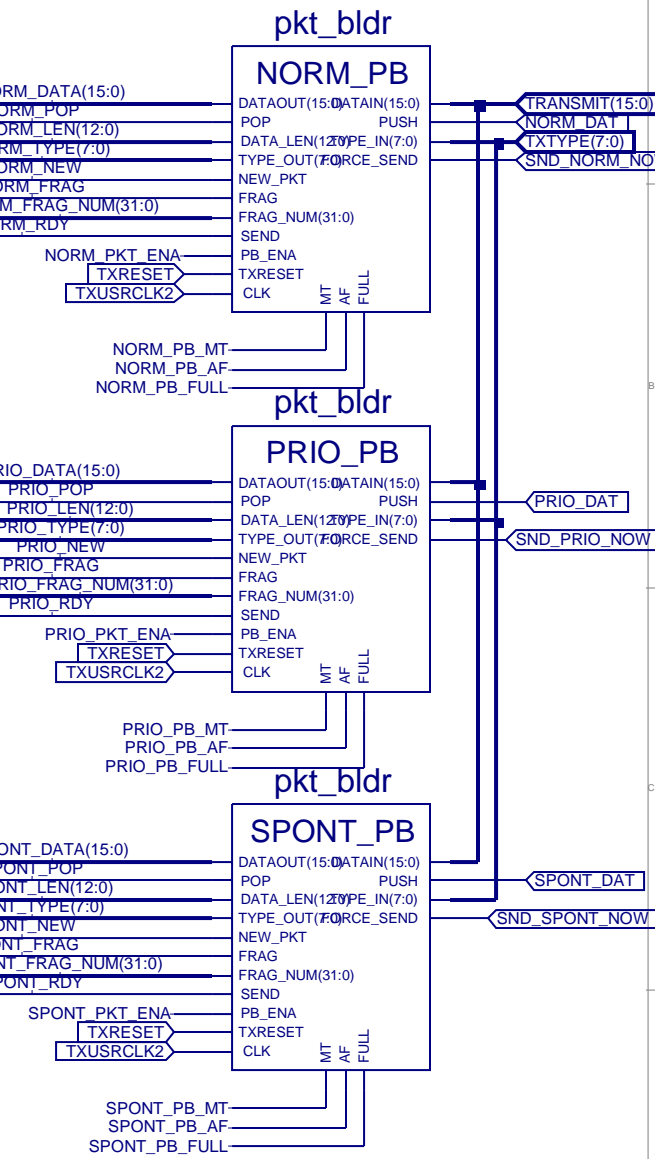
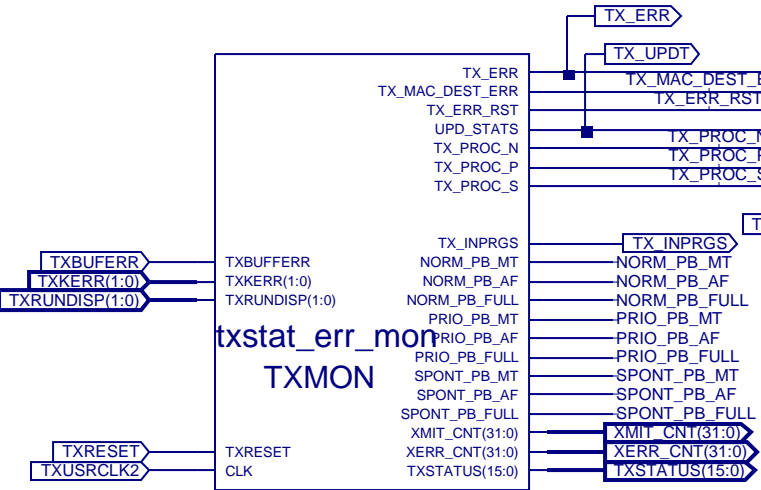
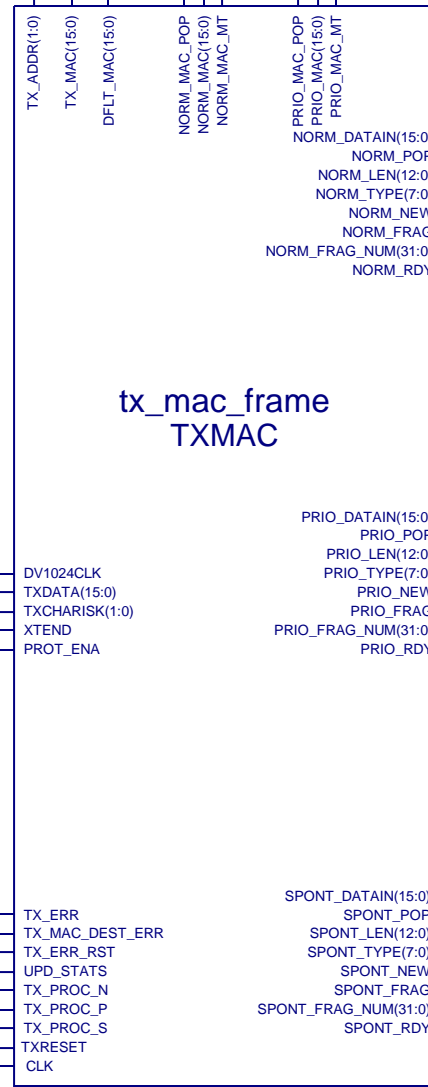
Name: Gigabit Ethernet VME Controller

Date: Wed Nov 15 13:40:31 2006

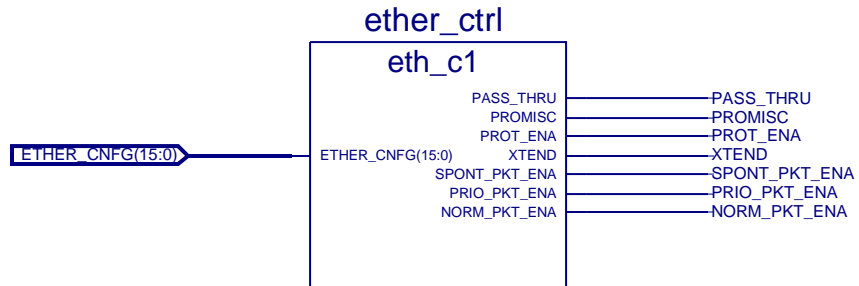
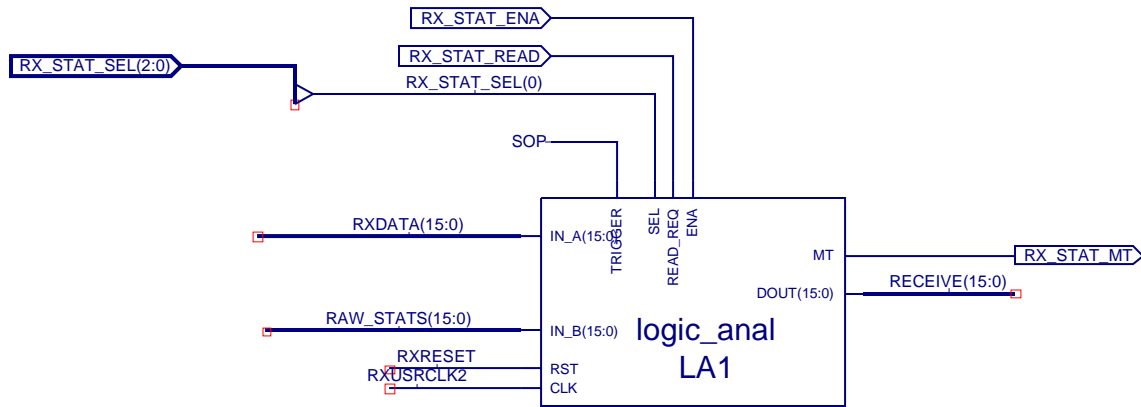
Sheet 9 of 9



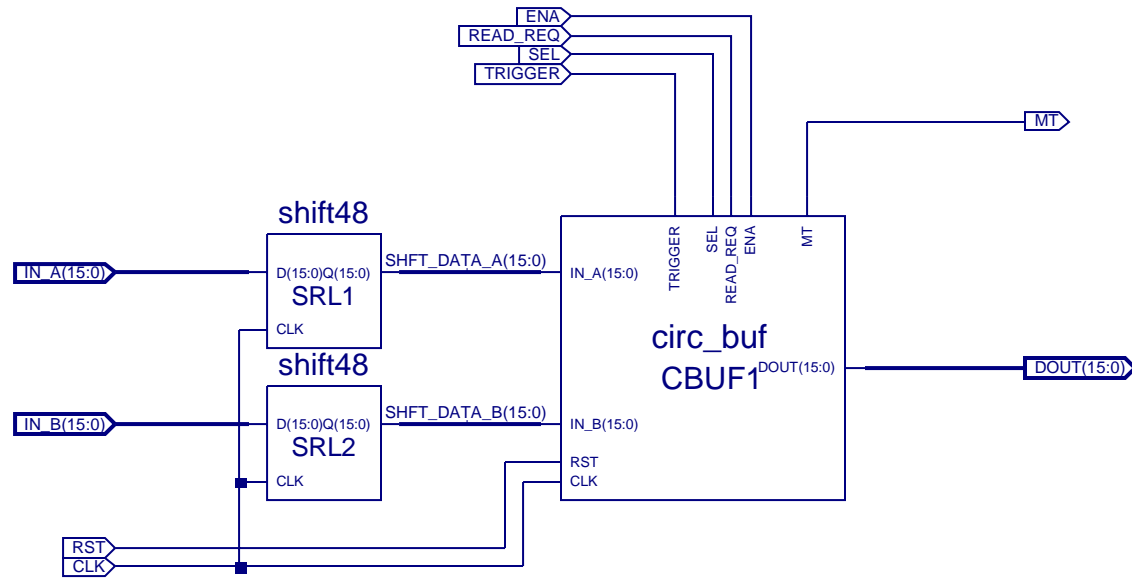
Title: Ethernet	
Subtitle: Receiv Packet Processing	
Project: D783C	Revision: 3.6F
Name: Gigabit Ethernet VME Controller	
Date: Wed Nov 15 15:55:08 2006	Sheet 1 of 3



	Title: Ethernet	
	Subtitle: Transmit Packet Building	
	Project: D783C	Revision: 3.6F
	Name: Gigabit Ethernet VME Controller	
Date: Wed Nov 15 15:55:08 2006		Sheet 2 of 3



Title: Ethernet	
Subtitle: Logic Analyzer	
Project: D783C	Revision: 3.6F
Name: Gigabit Ethernet VME Controller	
Date: Wed Nov 15 15:55:08 2006	Sheet 3 of 3



Title: Logic Analyzer

Subtitle: Circular Buffer

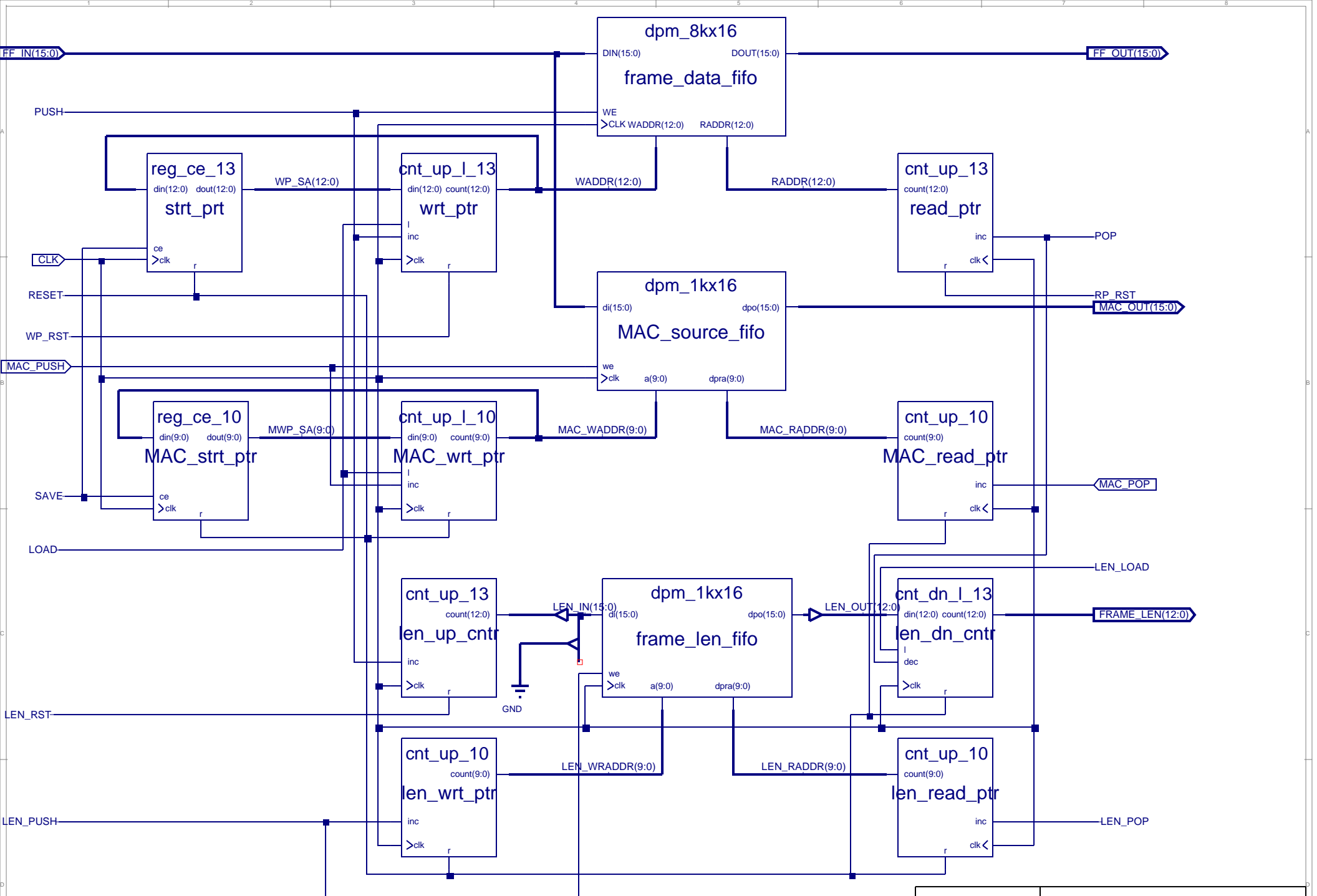
Project: D783C

Revision: 3.6F

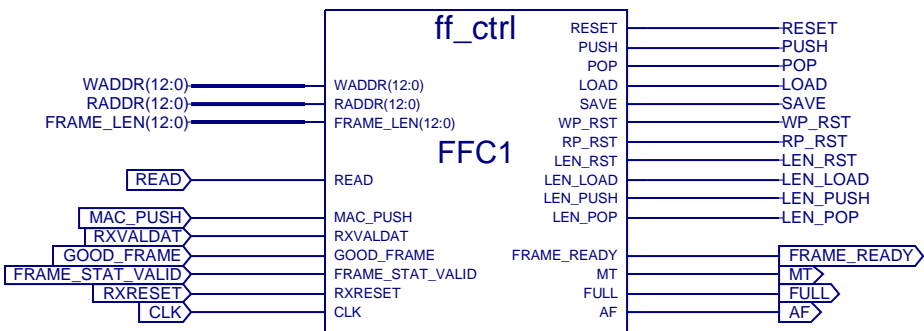
Name: Gigabit Ethernet VME Controller

Date: Wed Nov 15 15:58:46 2006

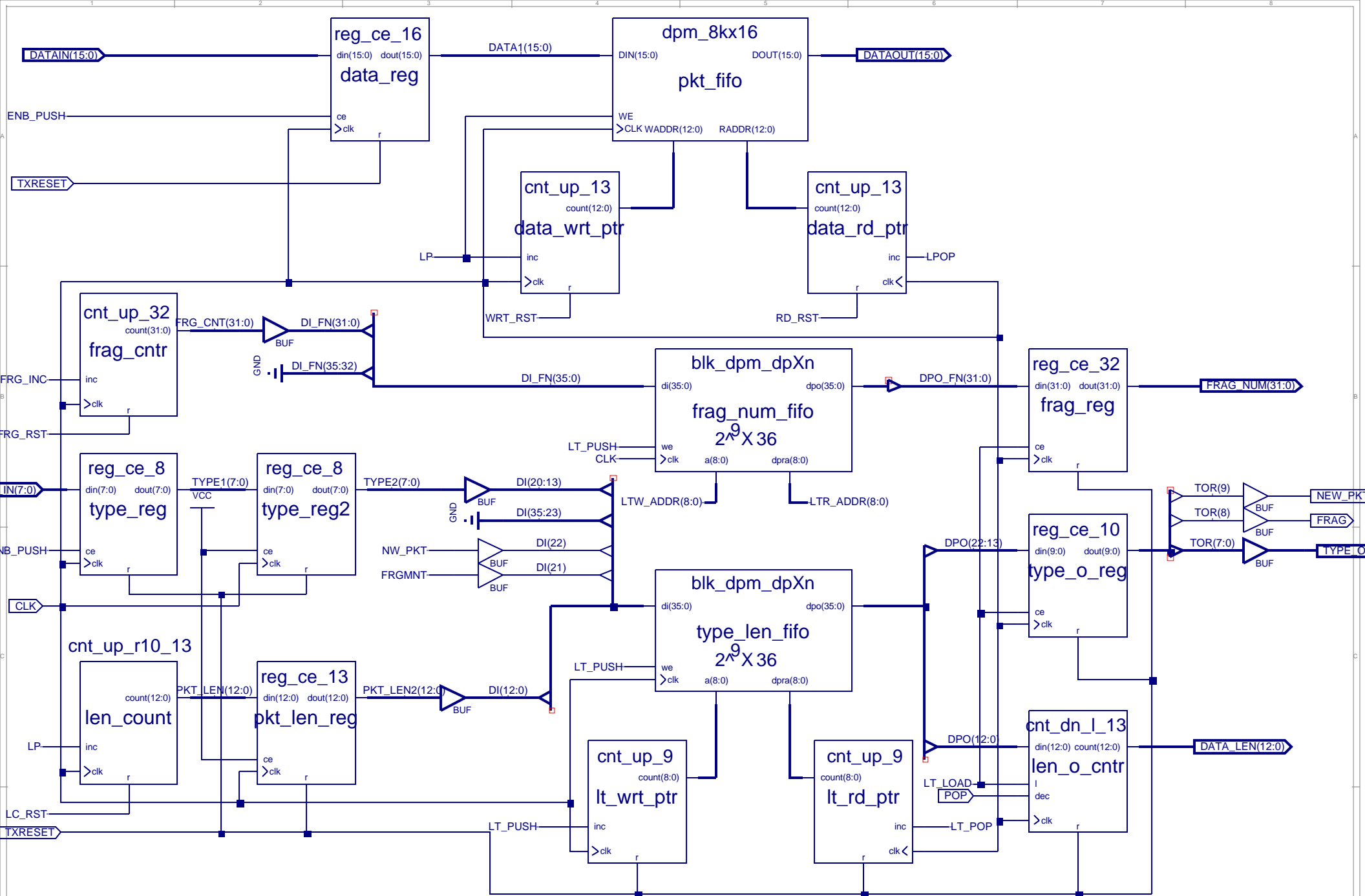
Sheet 1 of 1



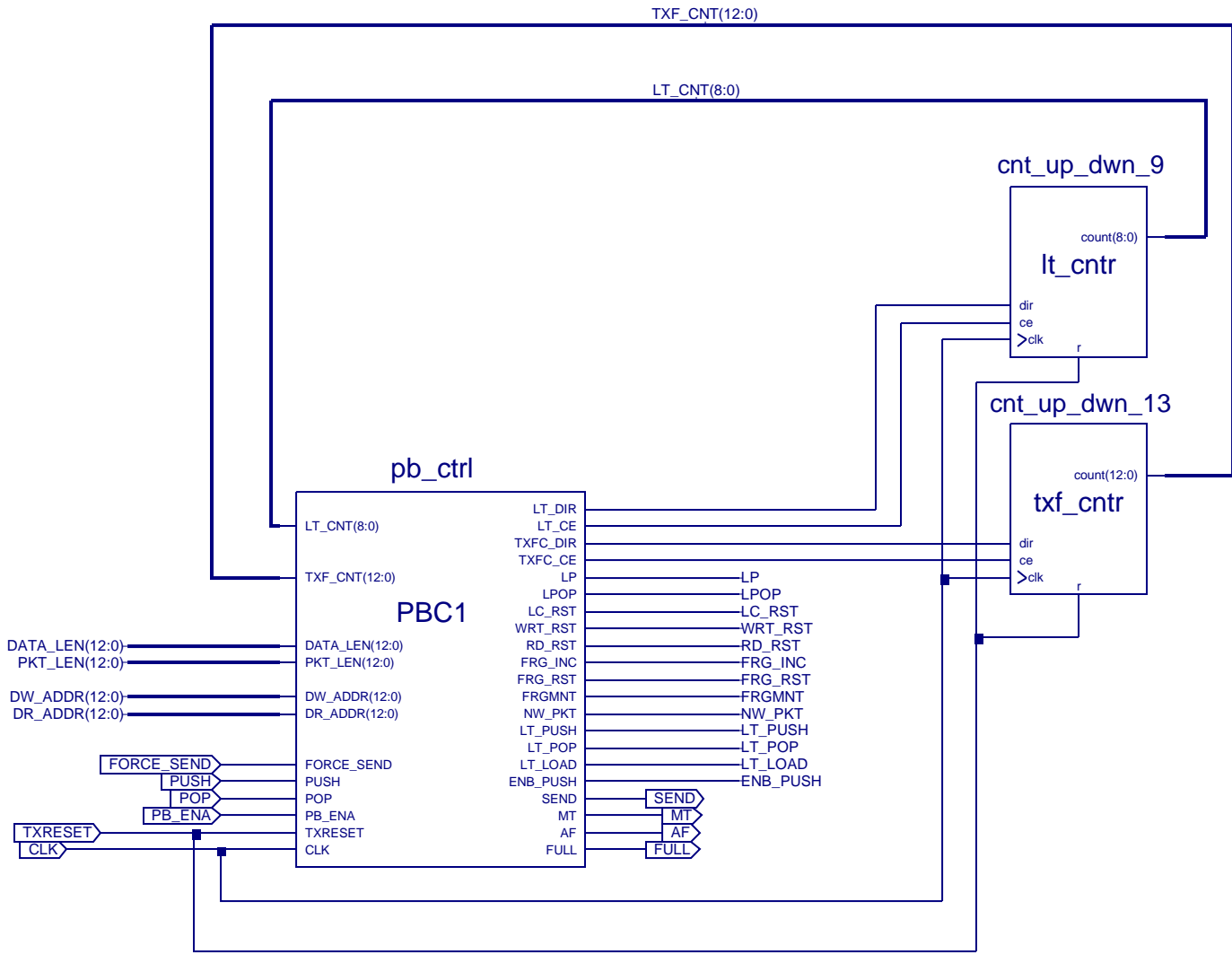
Title:Packet Receiver FIFO	
Subtitle:FIFOs and counters	
Project:D783C	Revision:3.6F
Name: Gigabit Ethernet VME Contoller	
Date: Wed Nov 15 16:00:32 2006	Sheet 1 of 2



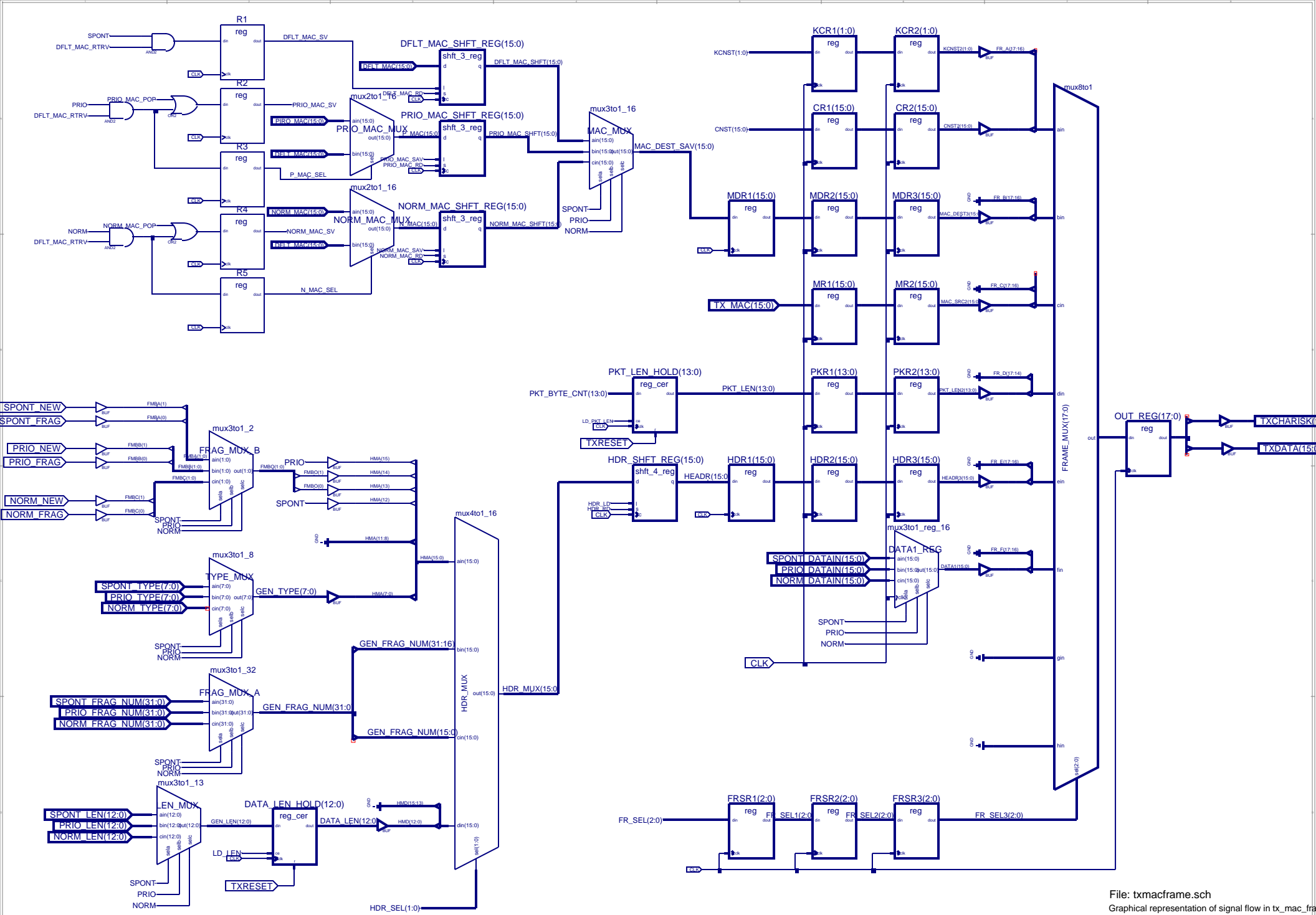
Title:Packet Receiver FIFO	
Subtitle:FIFO Controller	
Project:D783C	Revision:3.6F
Name: Gigabit Ethernet VME Controller	
Date: Wed Nov 15 16:00:32 2006	Sheet 2 of 2



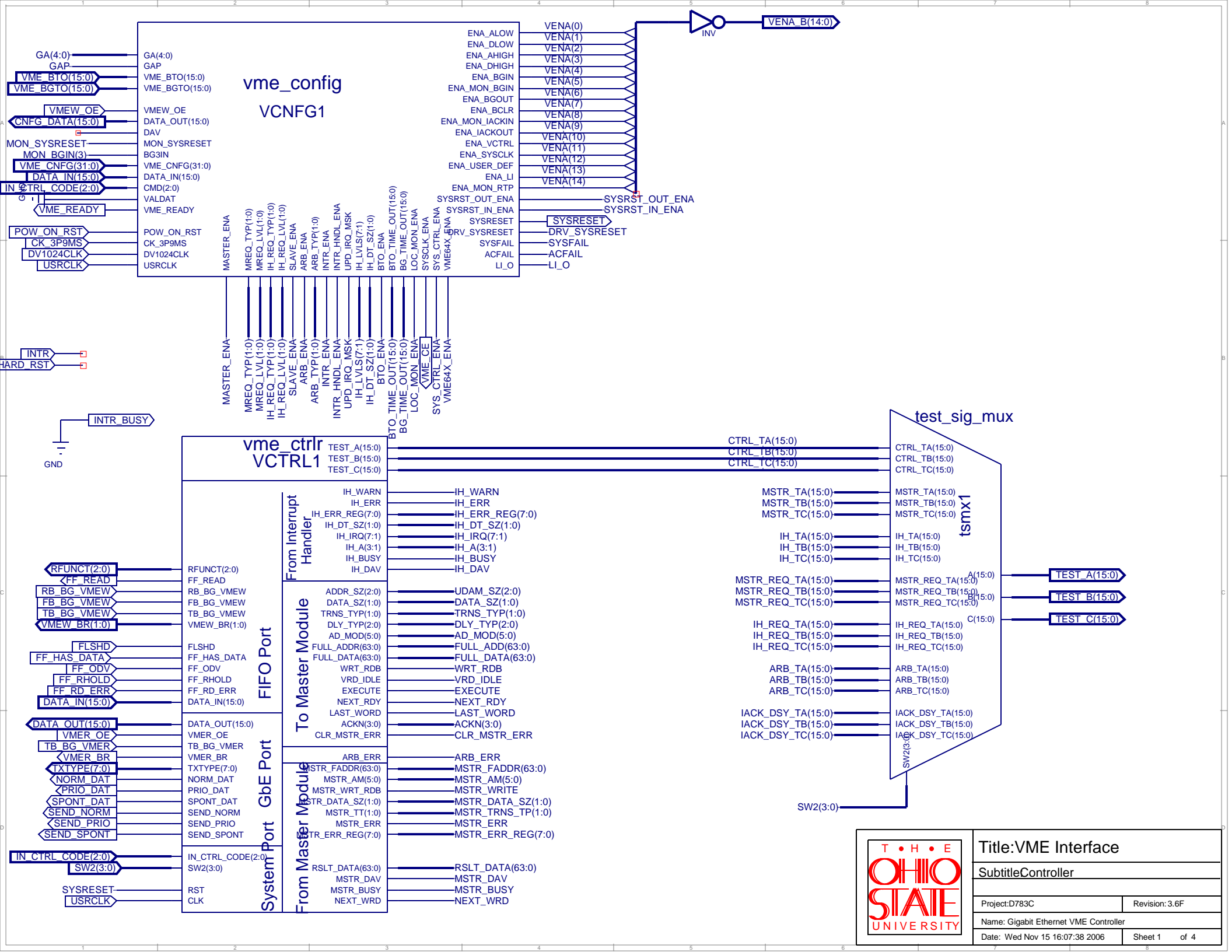
Title: Packet Builder	
Subtitle: FIFOs and counters	
Project: D783C	Revision: 3.6F
Name: Gigabit Ethernet Controller	
Date: Wed Nov 15 16:04:59 2006	Sheet 1 of 2

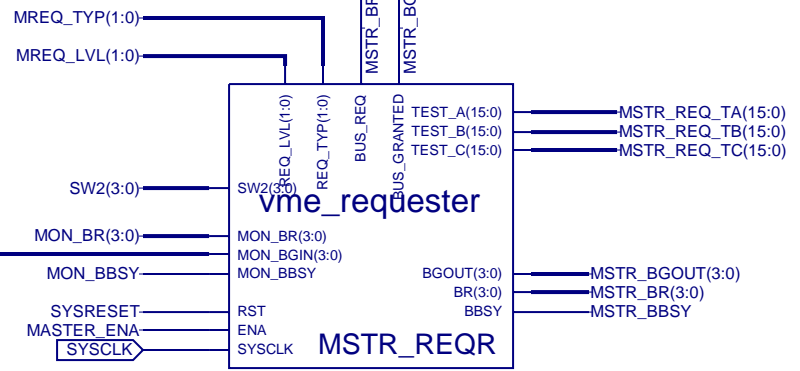
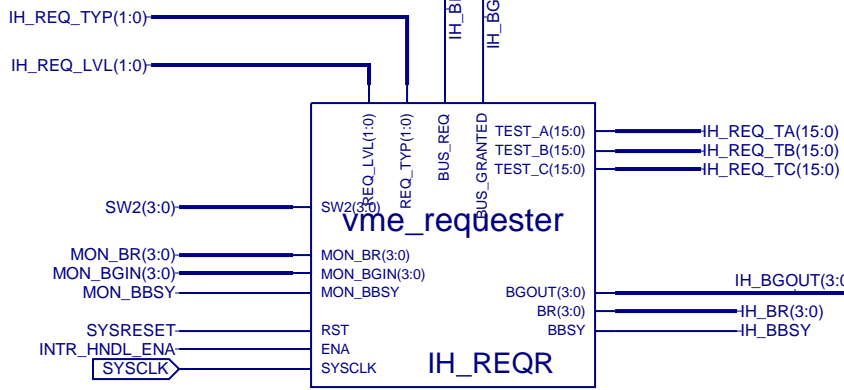
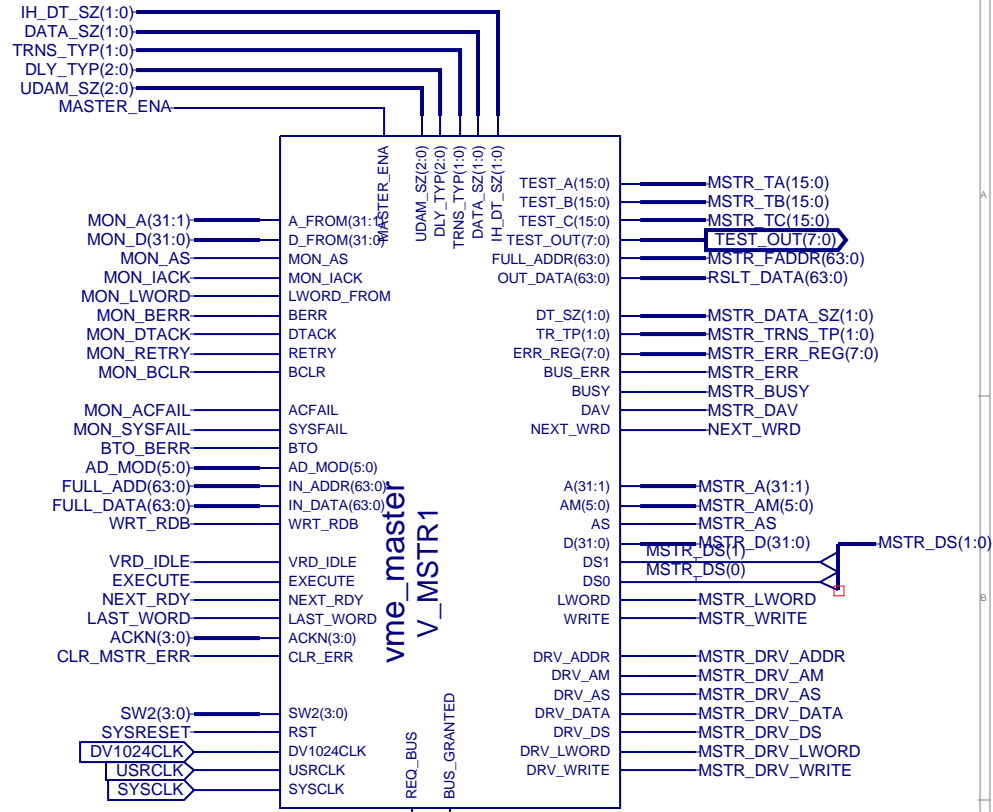
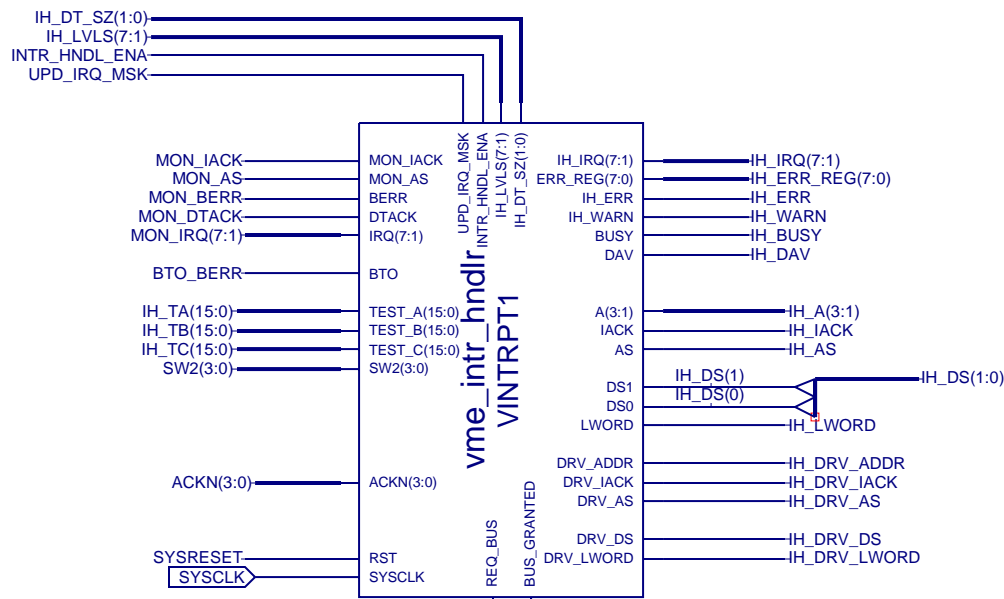


Title: Packet Builder	
Subtitle: FIFO controller	
Project: D783C	Revision: 3.6F
Name: Gigabit Ethernet Controller	
Date: Wed Nov 15 16:04:59 2006	Sheet 2 of 2



File: txmacframe.sch
 Graphical representation of signal flow in tx_mac_frame





Title:VME Interface

SubtitleMaster and Interrupt Handler

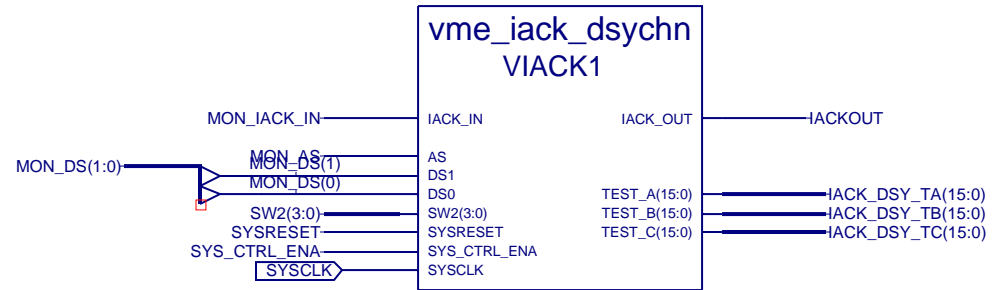
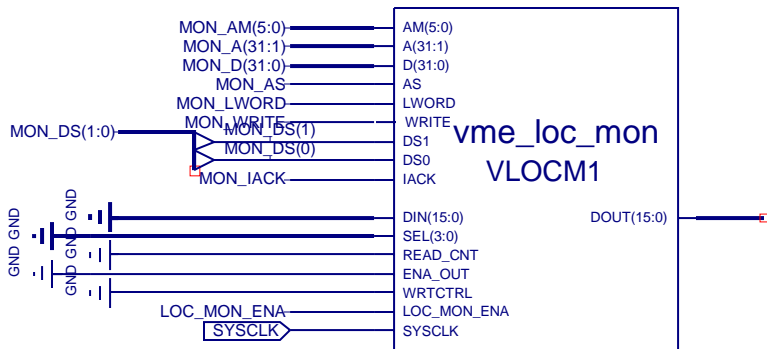
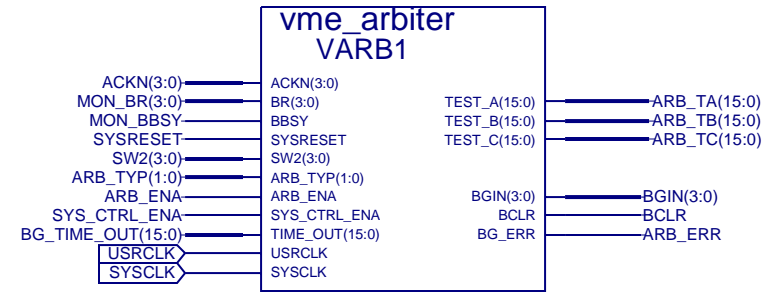
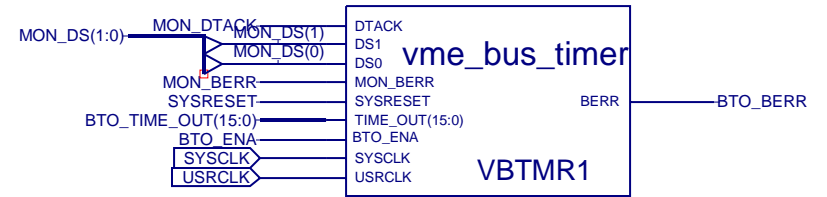
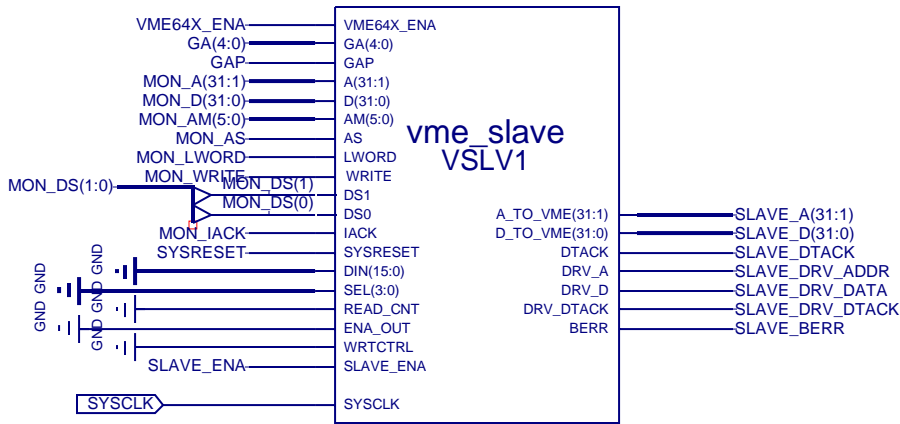
Project:D783C

Revision:3.6F

Name: Gigabit Ethernet VME Controller

Date: Wed Nov 15 16:07:38 2006

Sheet 2 of 4



Title:VME Interface

Subtitle:Slave, Arbiter, Bus Timer, and Misc.

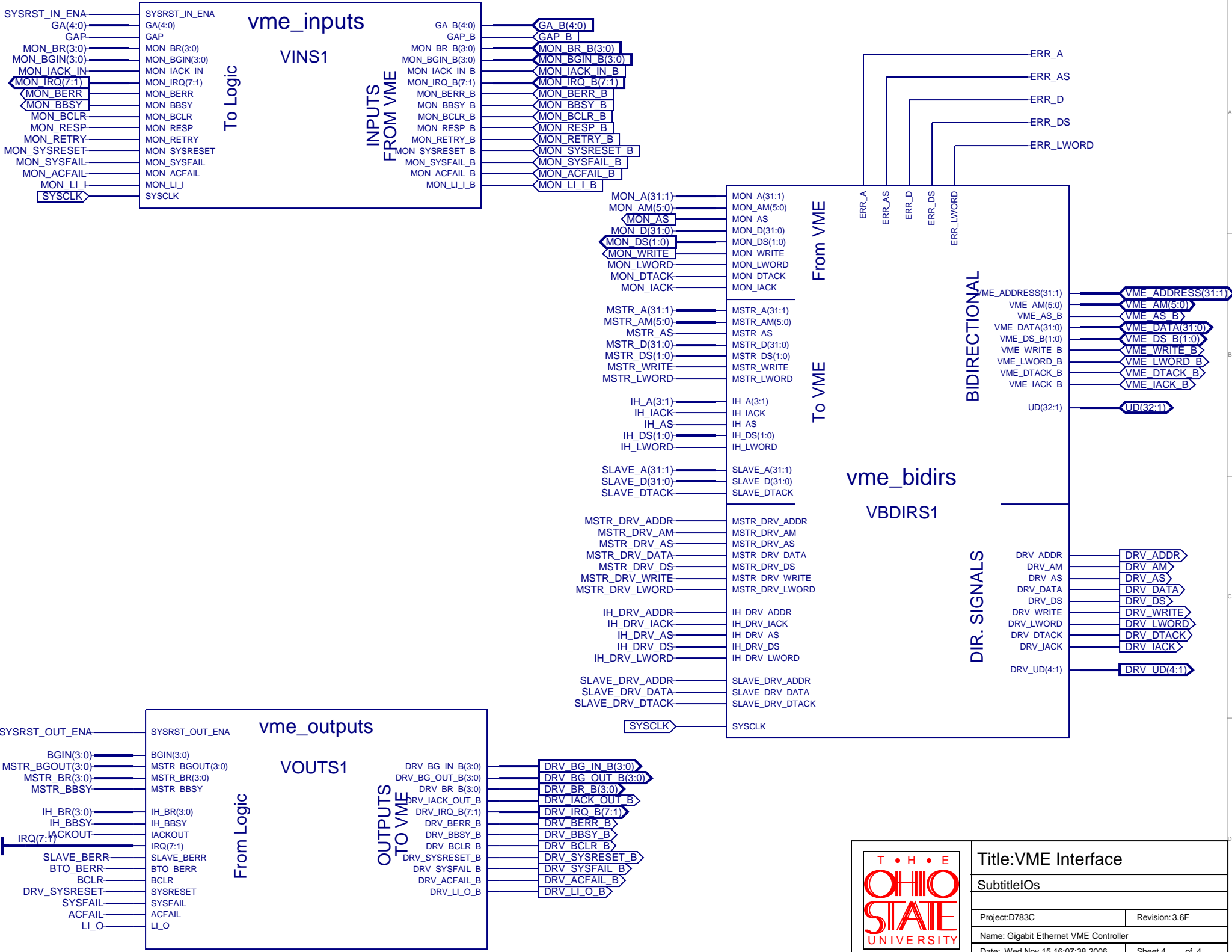
Project:D783C

Revision:3.6F

Name: Gigabit Ethernet VME Controller

Date: Wed Nov 15 16:07:38 2006

Sheet 3 of 4



Title: VME Interface	
Subtitle: IOs	
Project:D783C	Revision:3.6F
Name: Gigabit Ethernet VME Controller	
Date: Wed Nov 15 16:07:38 2006	Sheet 4 of 4