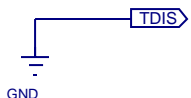
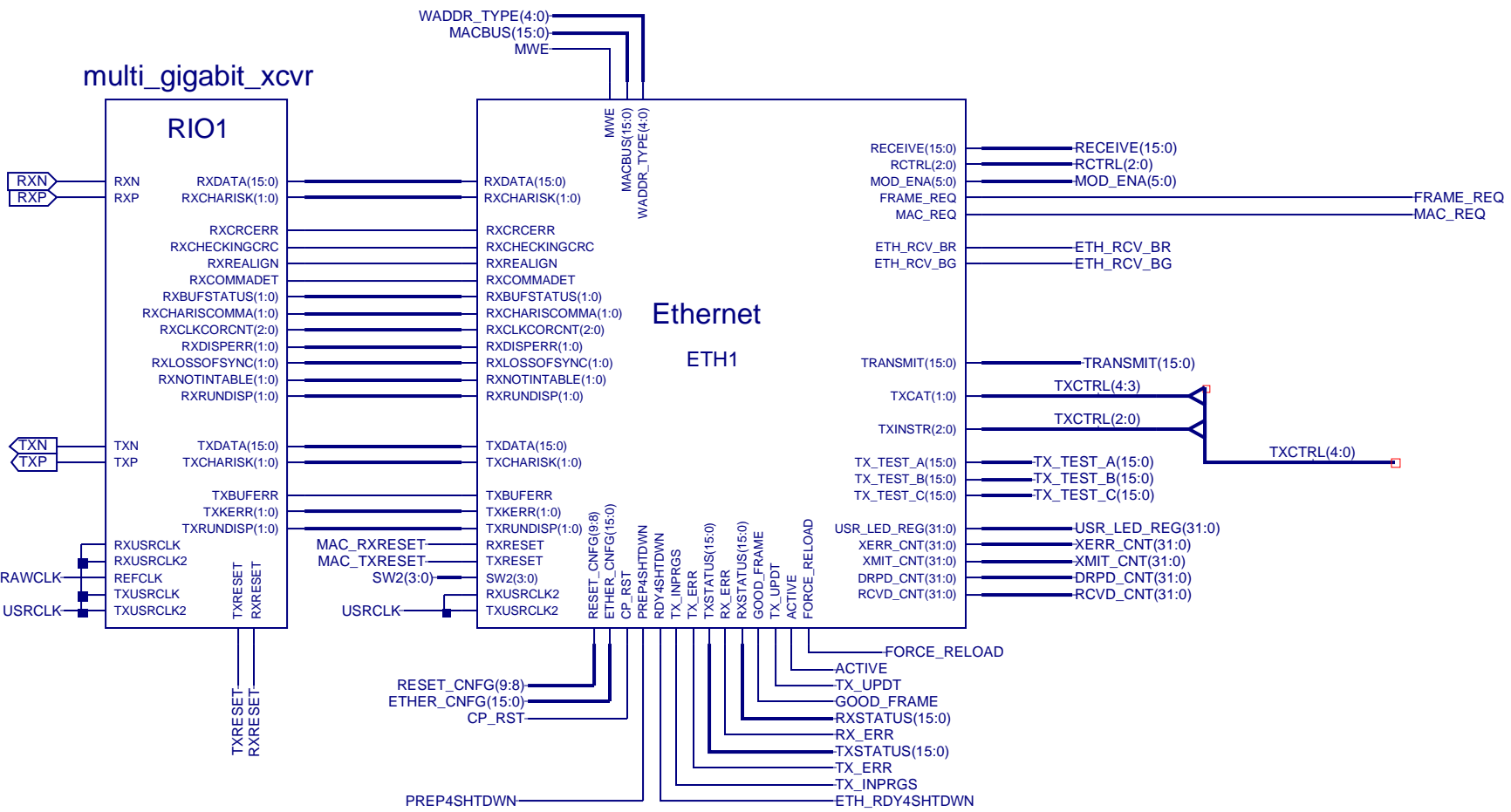
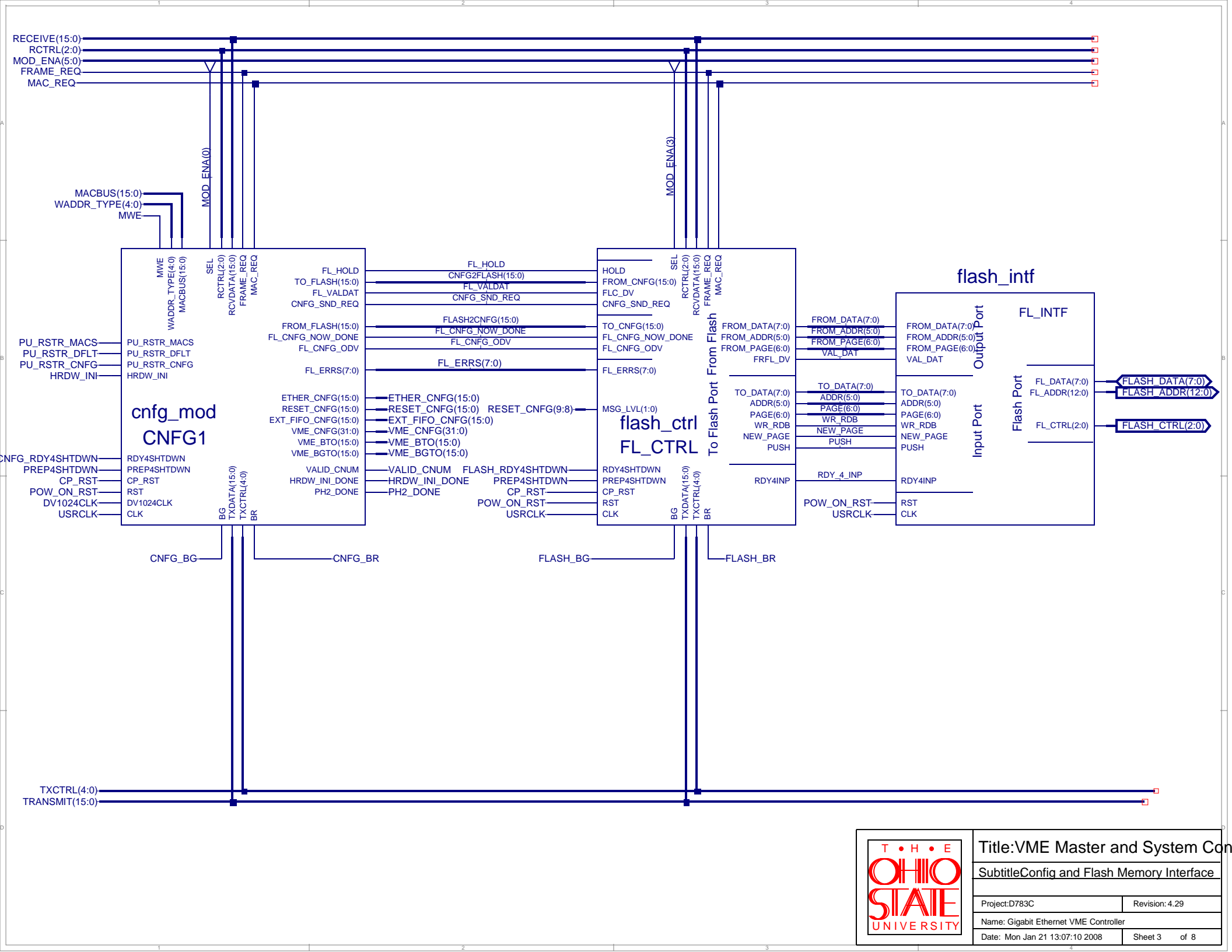


Title: VME Master and System Controller	
Subtitle: Start-up and Shutdown Sequencing	
Project: D783C	Revision: 4.29
Name: Gigabit Ethernet VME Controller	
Date: Mon Jan 21 13:07:10 2008	Sheet 1 of 8

multi_gigabit_xcvr



Title: VME Master and System Controller	
Subtitle: Ethernet Module	
Project: D783C	Revision: 4.29
Name: Gigabit Ethernet VME Controller	
Date: Mon Jan 21 13:07:10 2008	Sheet 2 of 8



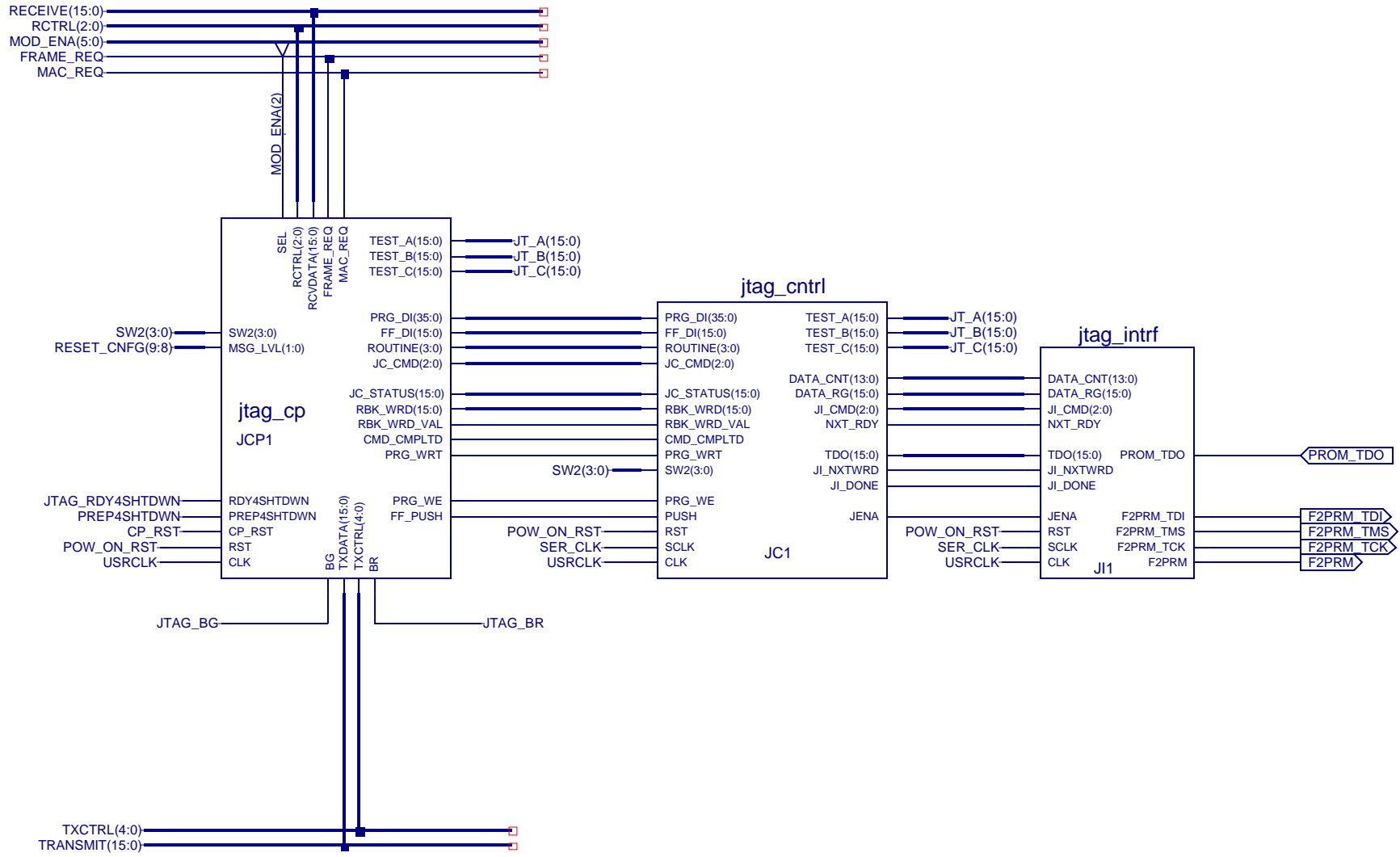
Title: VME Master and System Controller

Subtitle: Config and Flash Memory Interface

Project: D783C Revision: 4.29

Name: Gigabit Ethernet VME Controller

Date: Mon Jan 21 13:07:10 2008 Sheet 3 of 8



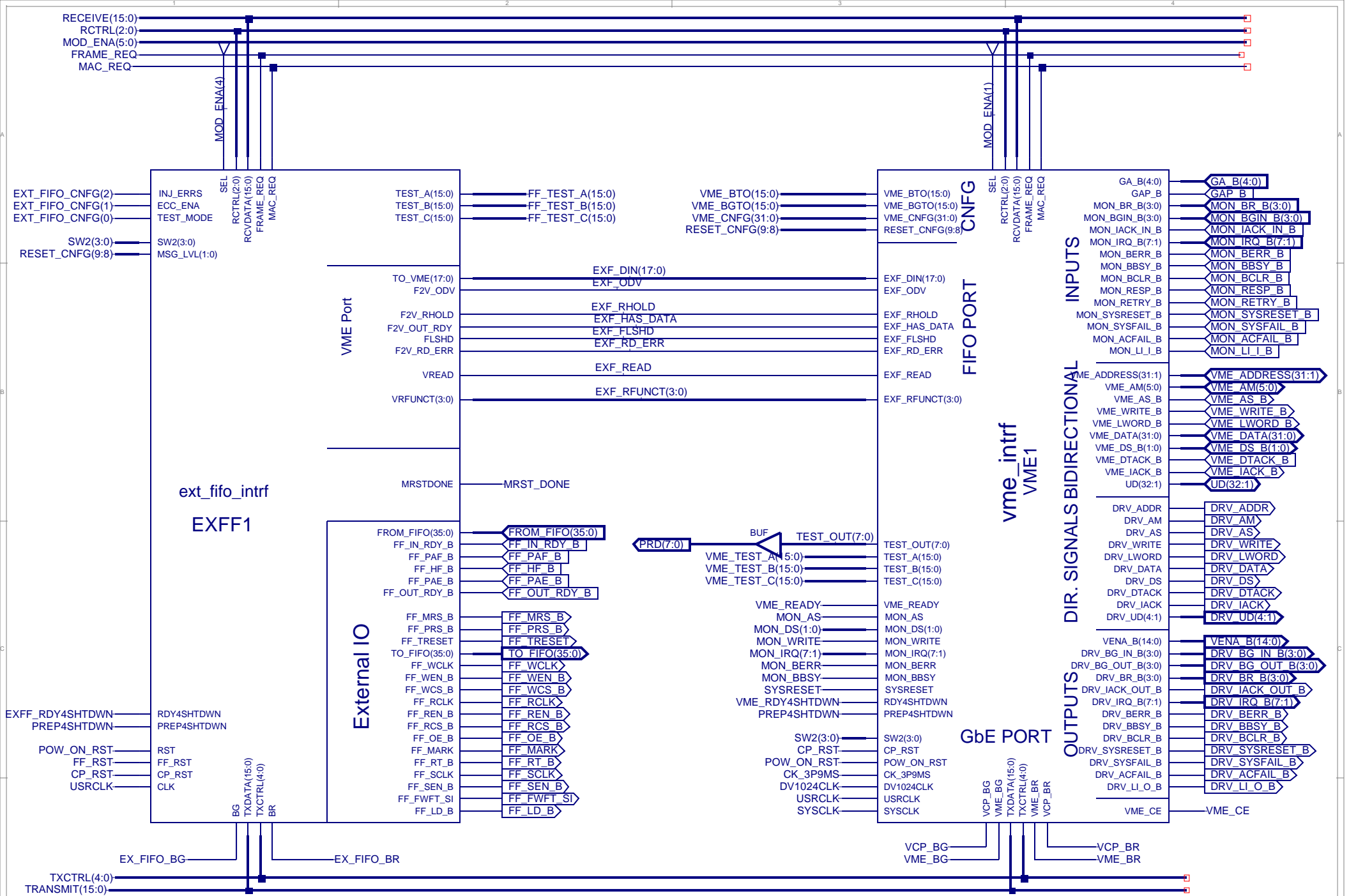
Title: VME Master and System Controller

Subtitle: JTAG Interface

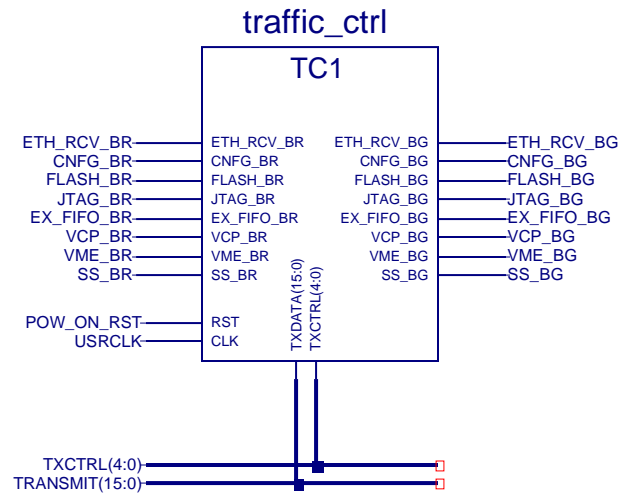
Project: D783C Revision: 4.29

Name: Gigabit Ethernet VME Controller

Date: Mon Jan 21 13:07:10 2008 Sheet 4 of 8



Title: VME Master and System Controller	
Subtitle: External FIFO and VME Interface	
Project: D783C	Revision: 4.29
Name: Gigabit Ethernet VME Controller	
Date: Mon Jan 21 13:07:10 2008	Sheet 5 of 8



Title: VME Master and System Controller

Subtitle: Bus Traffic Controller

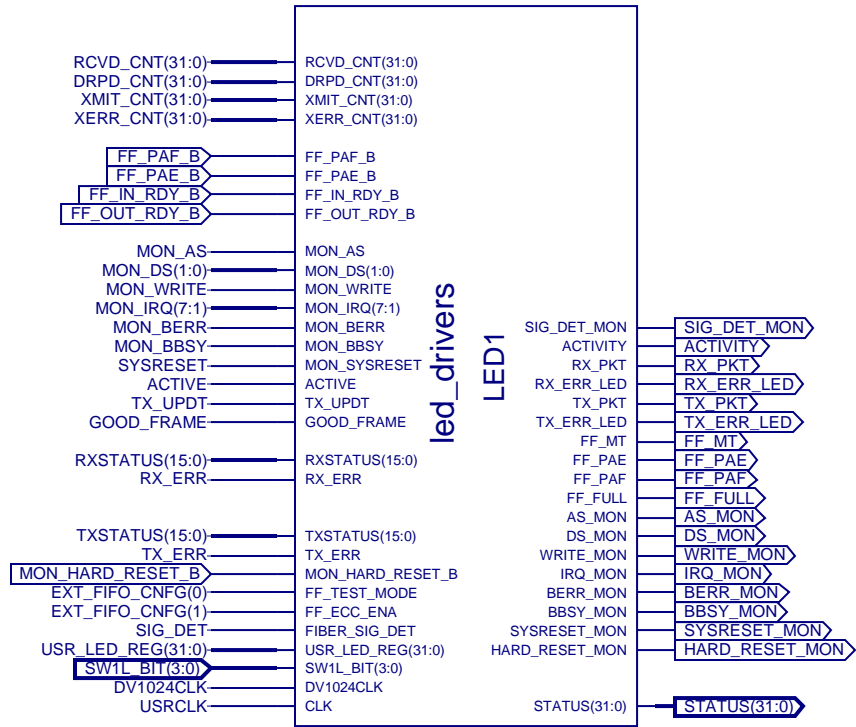
Project: D783C

Revision: 4.29

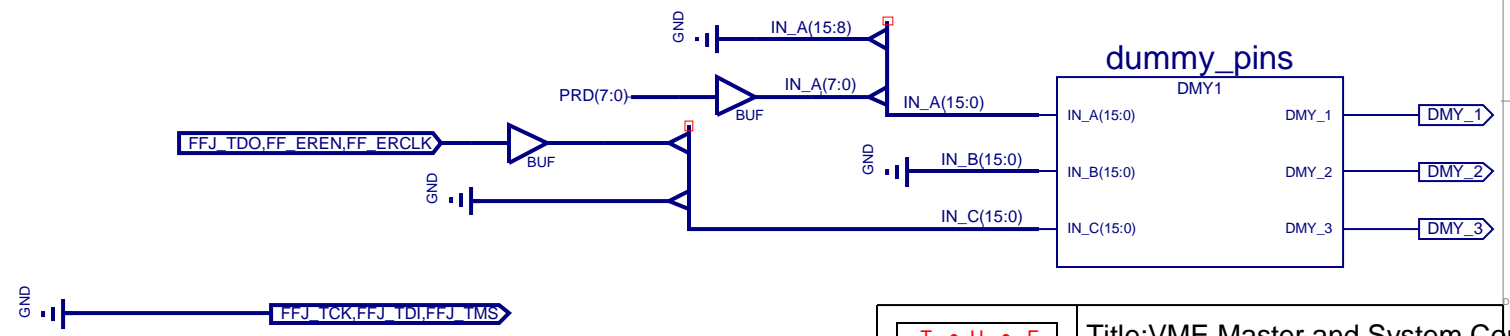
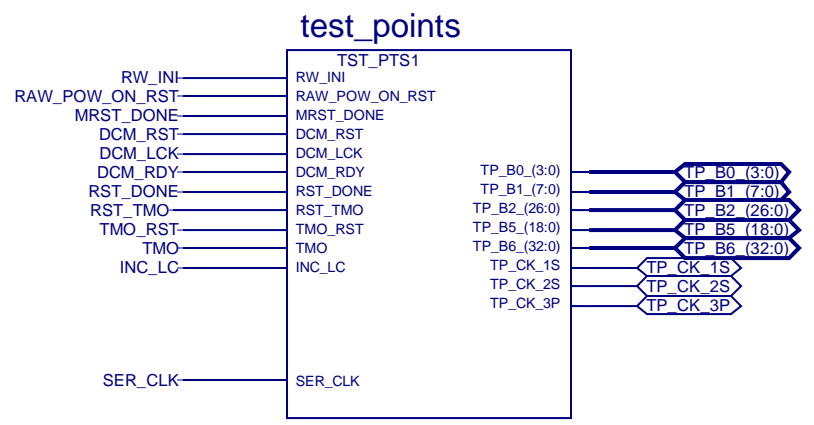
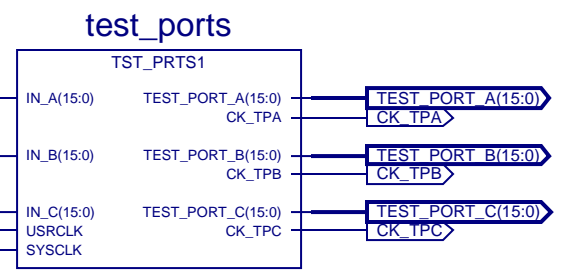
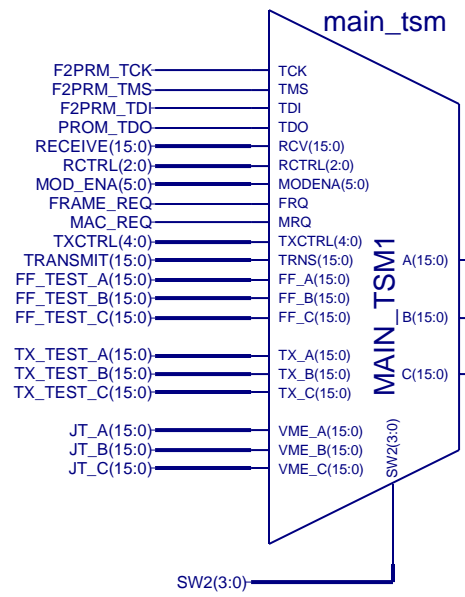
Name: Gigabit Ethernet VME Controller

Date: Mon Jan 21 13:07:10 2008

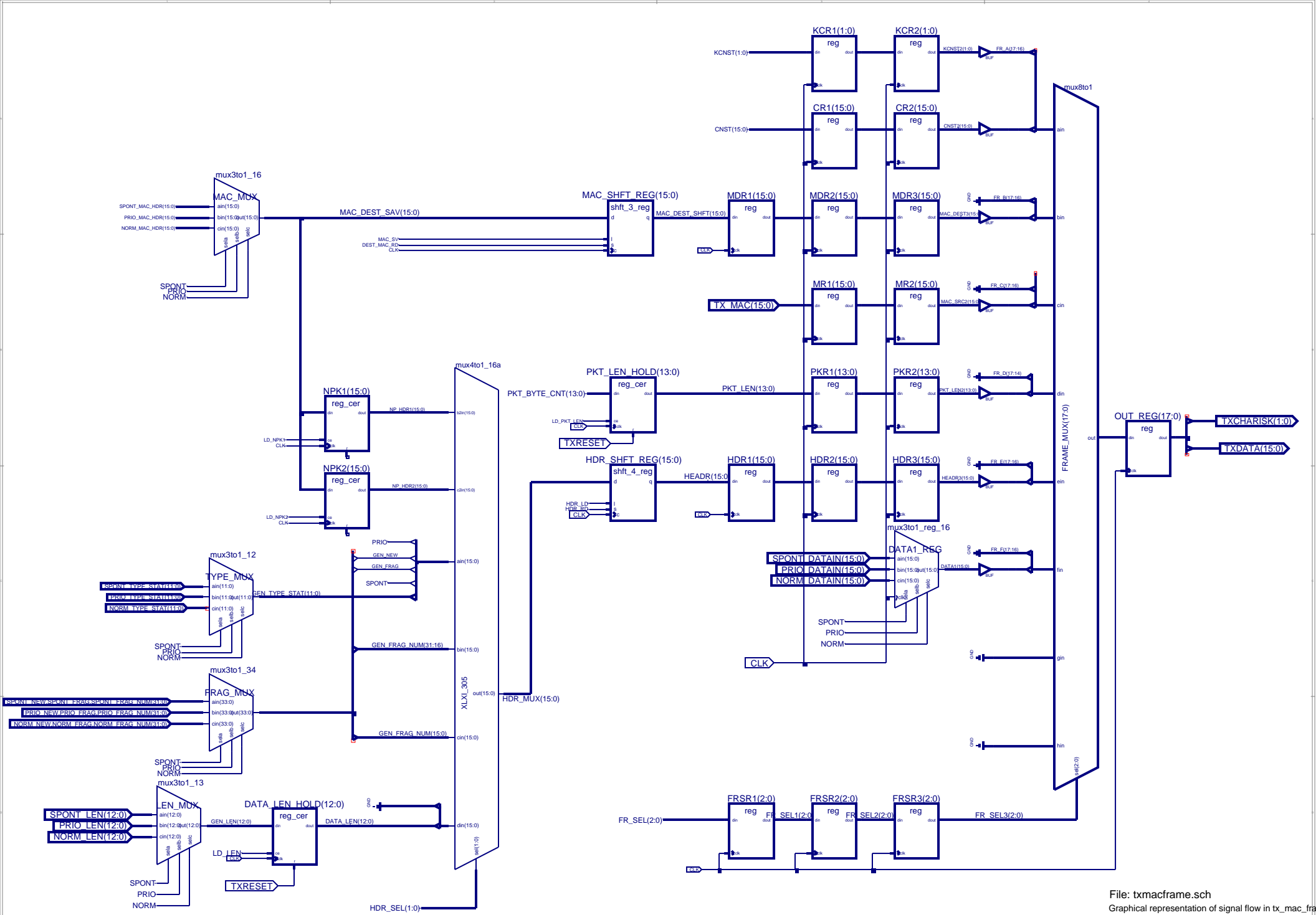
Sheet 6 of 8



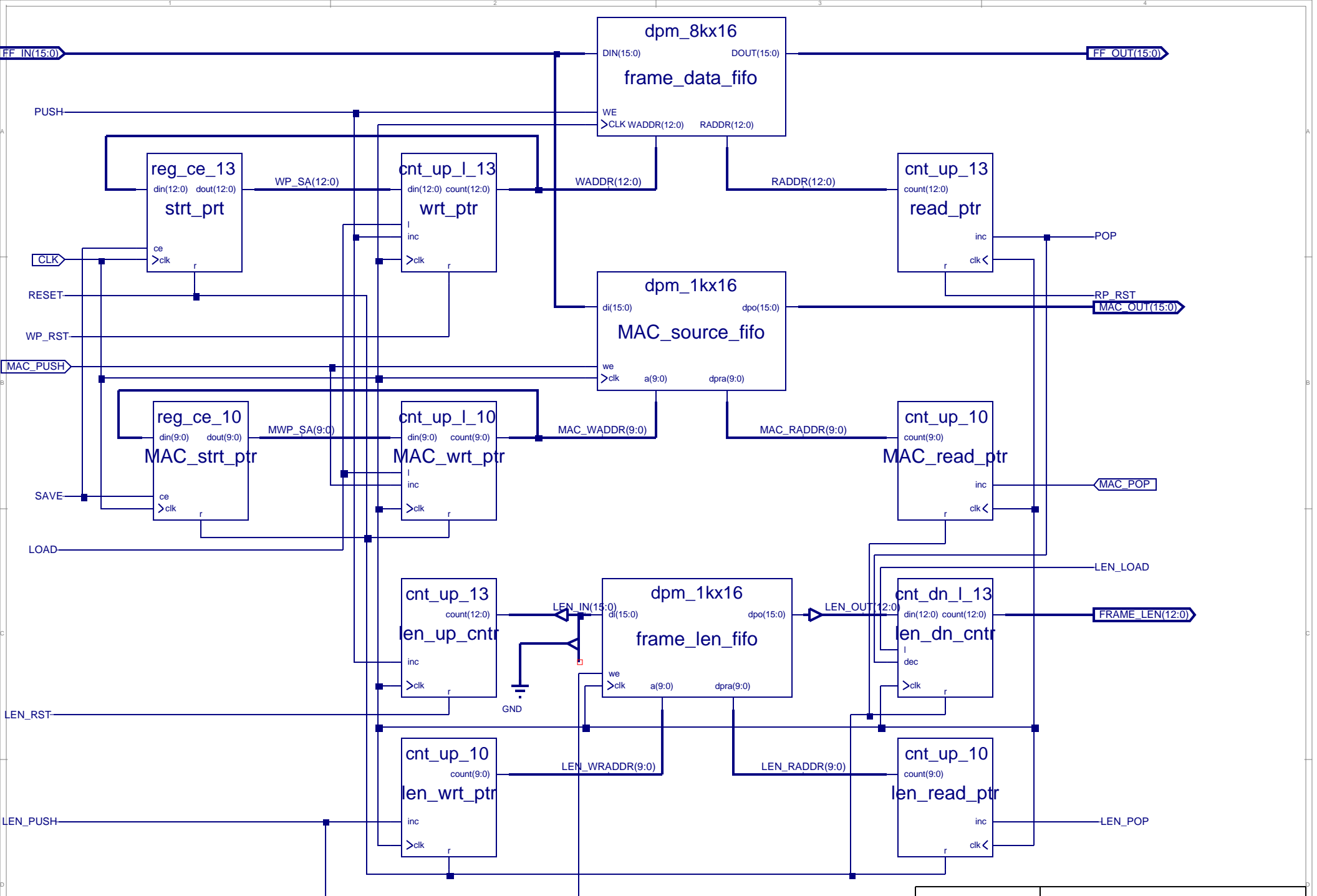
Title: VME Master and System Controller	
Subtitle: Status and Monitoring (LEDs)	
Project: D783C	Revision: 4.29
Name: Gigabit Ethernet VME Controller	
Date: Mon Jan 21 13:07:10 2008	Sheet 7 of 8



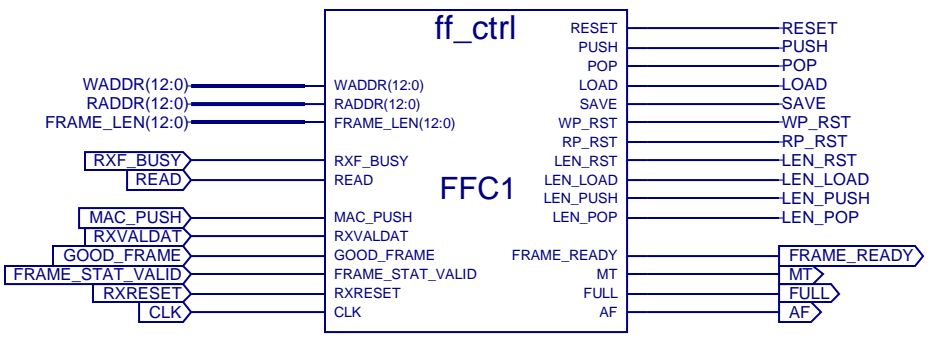
Title: VME Master and System Controller	
Subtitle: Test Ports and Test Points	
Project: D783C	Revision: 4.29
Name: Gigabit Ethernet VME Controller	
Date: Mon Jan 21 13:07:10 2008	Sheet 8 of 8



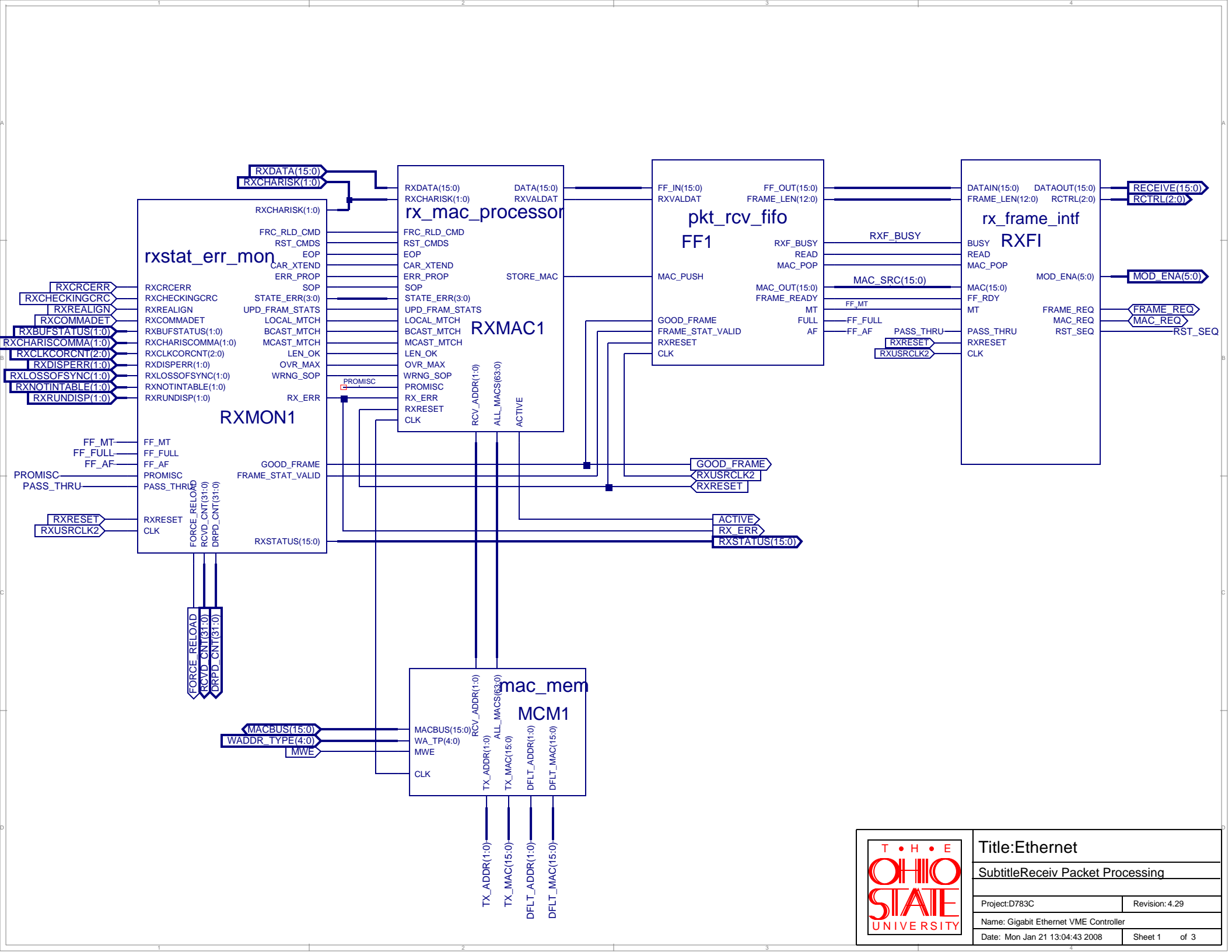
File: txmacframe.sch
 Graphical representation of signal flow in tx_mac_frame

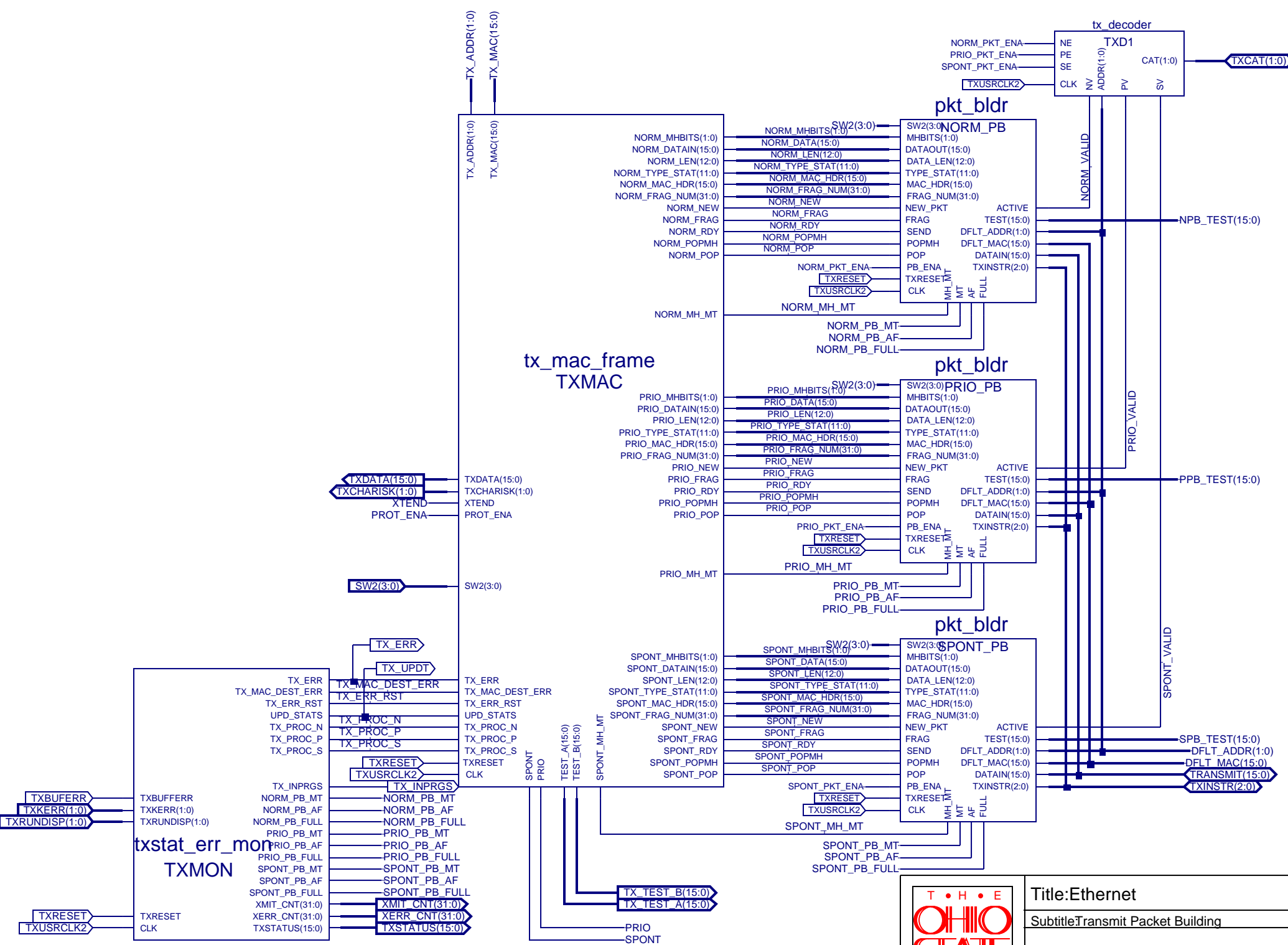


Title:Packet Receiver FIFO	
Subtitle:FIFOs and counters	
Project:D783C	Revision: 4.29
Name: Gigabit Ethernet VME Contoller	
Date: Mon Jan 21 13:02:26 2008	Sheet 1 of 2

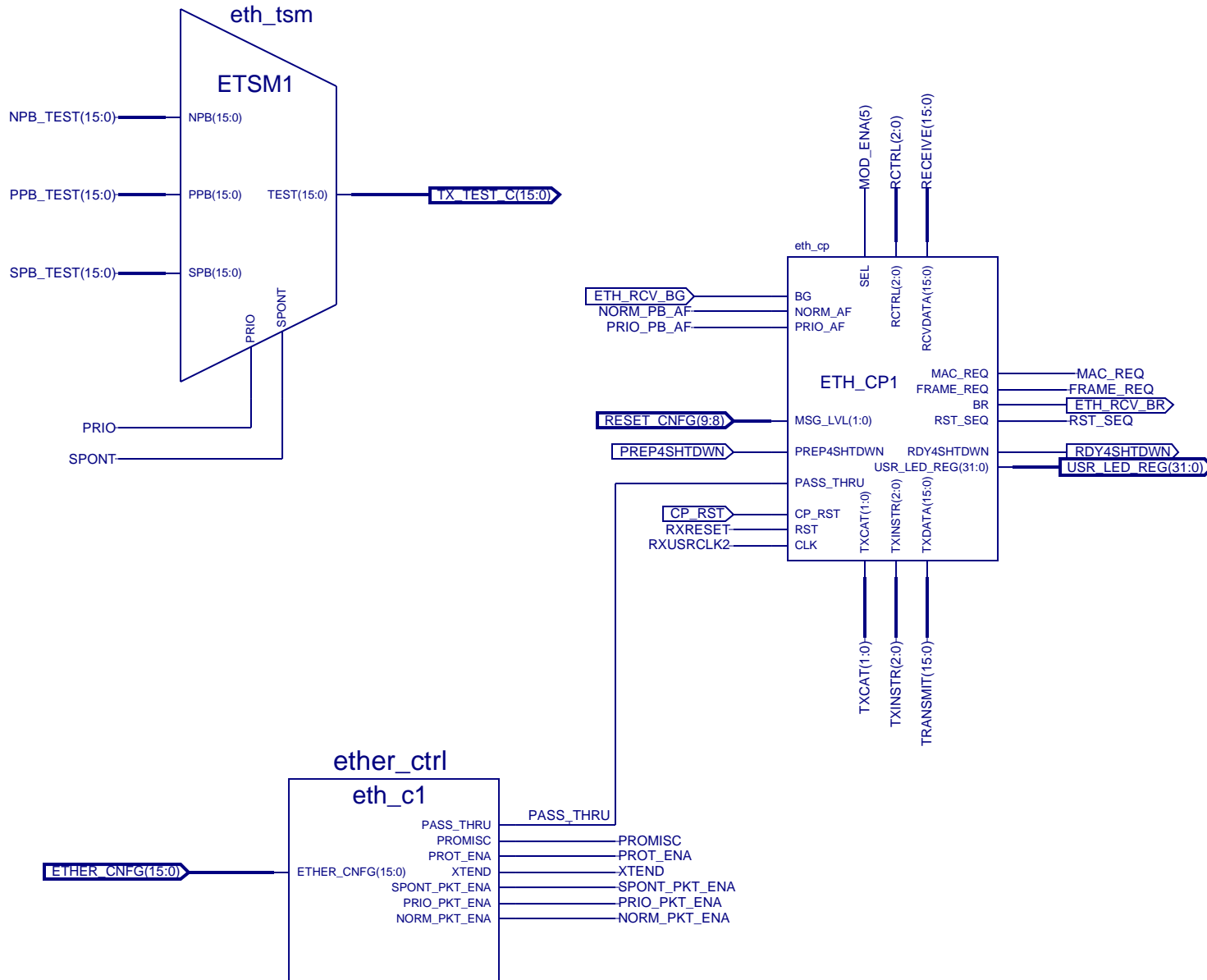


Title: Packet Receiver FIFO	
Subtitle: FIFO Controller	
Project: D783C	Revision: 4.29
Name: Gigabit Ethernet VME Controller	
Date: Mon Jan 21 13:02:26 2008	Sheet 2 of 2





Title: Ethernet	
Subtitle: Transmit Packet Building	
Project:D783C	Revision: 4.29
Name: Gigabit Ethernet VME Controller	
Date: Mon Jan 21 13:04:43 2008	Sheet 2 of 3



Title: Ethernet

Subtitle: Logic Analyzer

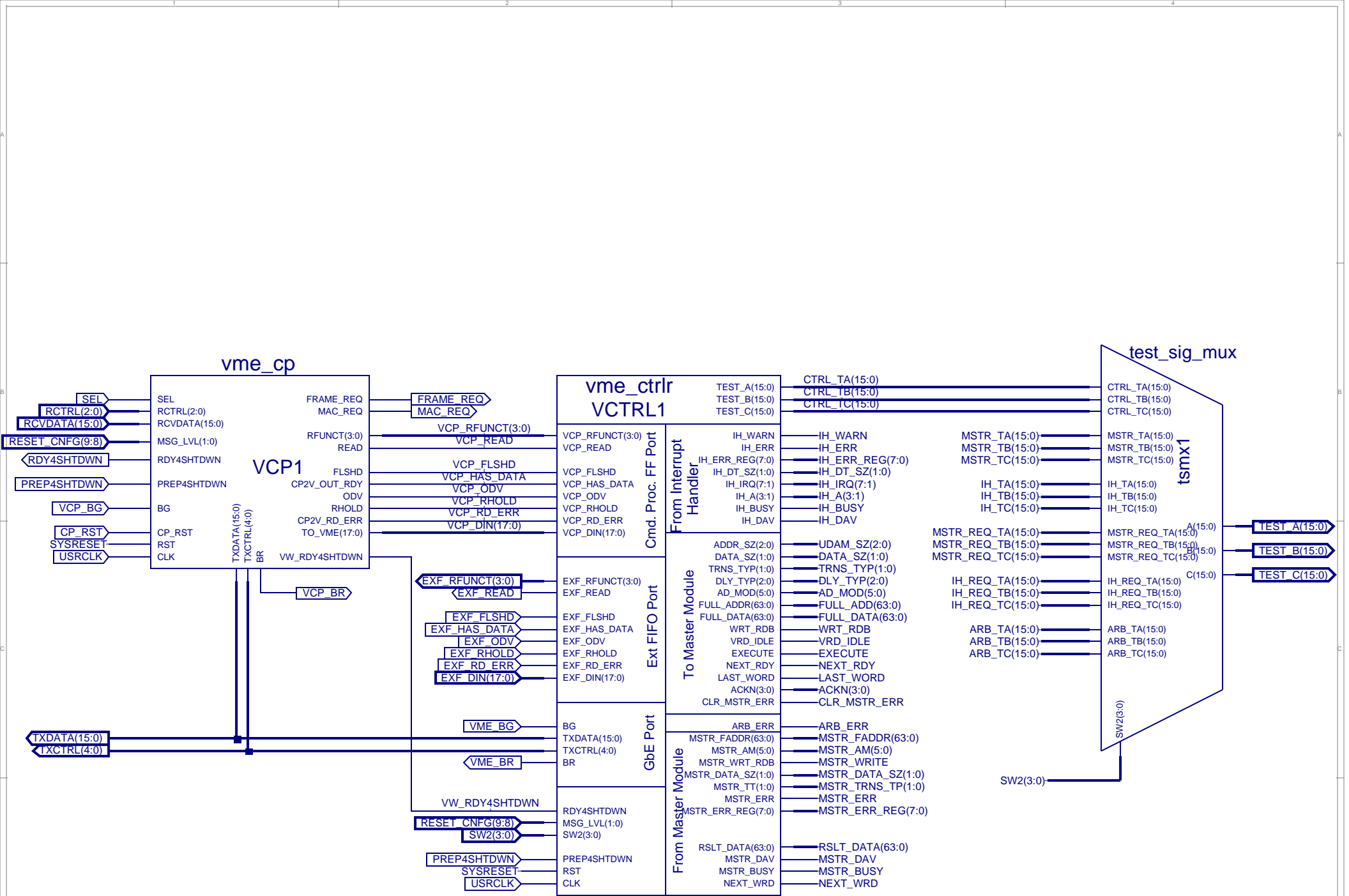
Project: D783C

Revision: 4.29

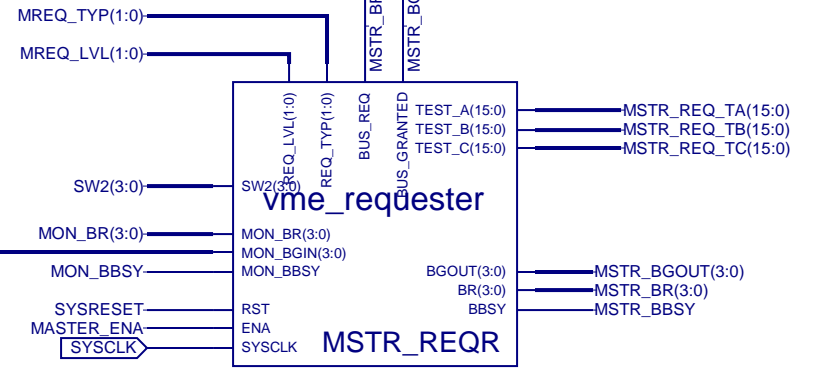
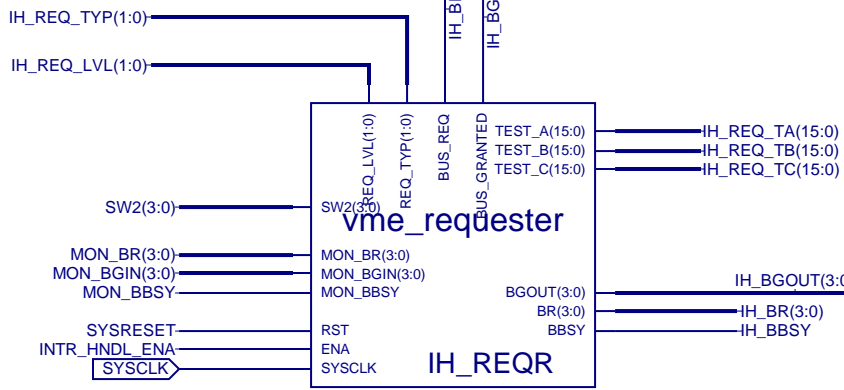
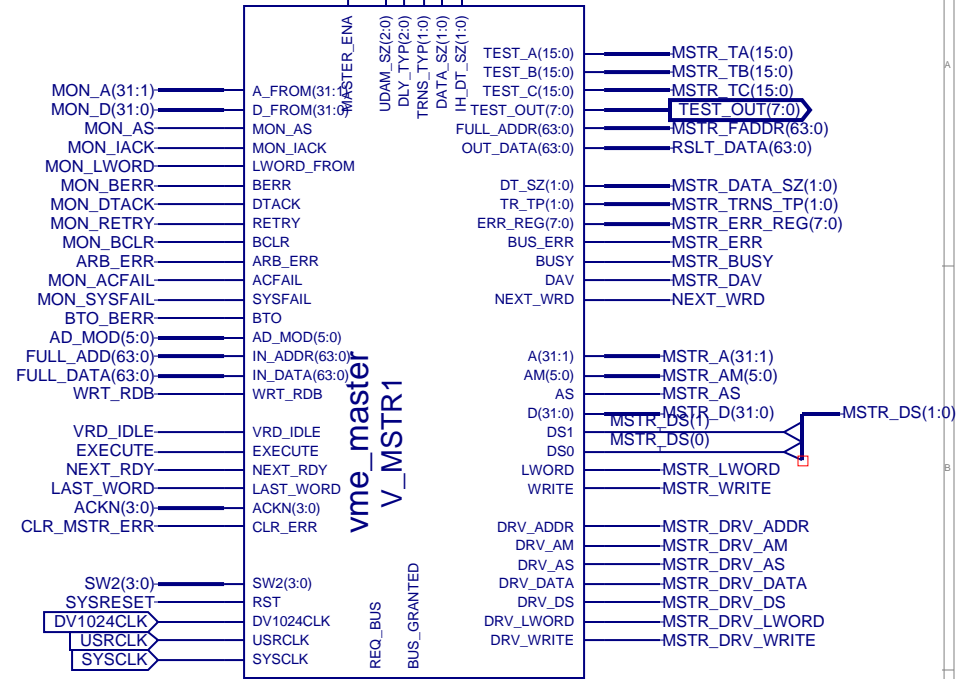
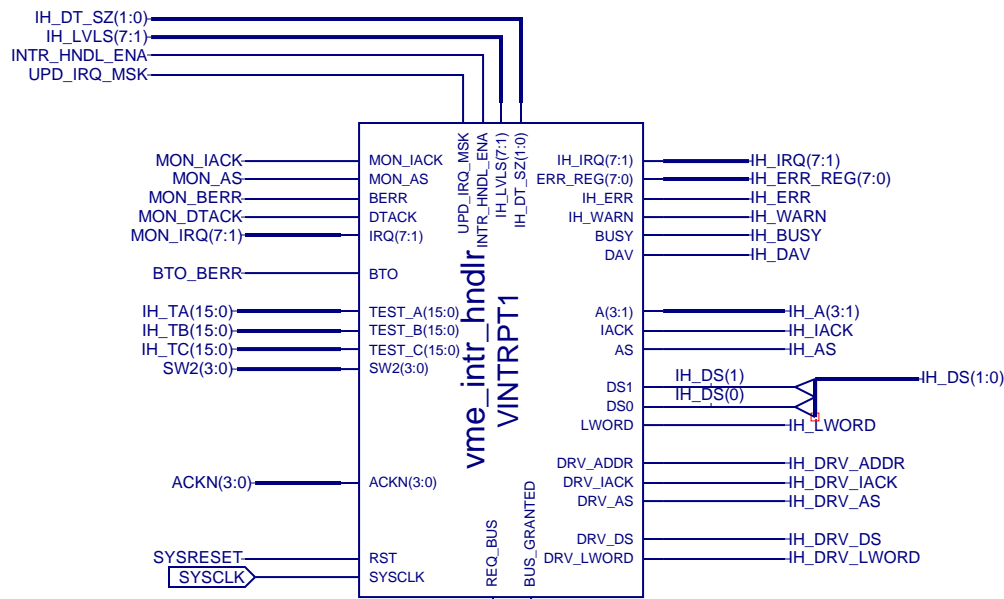
Name: Gigabit Ethernet VME Controller

Date: Mon Jan 21 13:04:43 2008

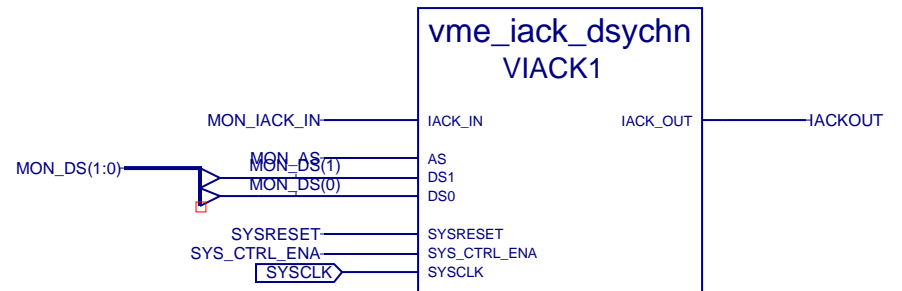
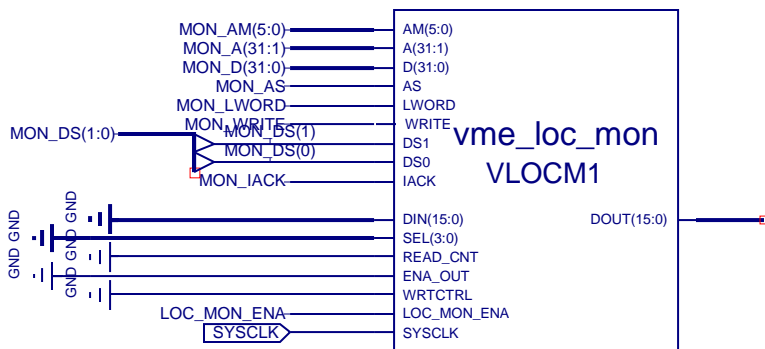
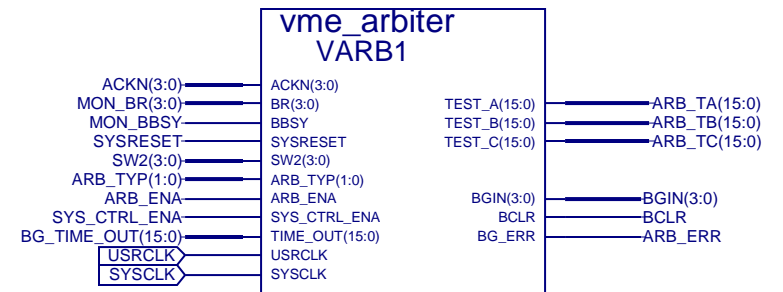
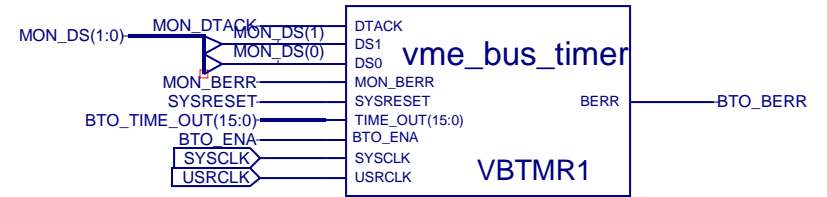
Sheet 3 of 3



Title:VME Interface	
SubtitleController	
Project:D783C	Revision: 4.29
Name: Gigabit Ethernet VME Controller	
Date: Mon Jan 21 13:06:27 2008	Sheet 1 of 4



Title:VME Interface	
SubtitleMaster and Interrupt Handler	
Project:D783C	Revision: 4.29
Name: Gigabit Ethernet VME Controller	
Date: Mon Jan 21 13:06:27 2008	Sheet 2 of 4



Title:VME Interface

Subtitle:Slave, Arbiter, Bus Timer, and Misc.

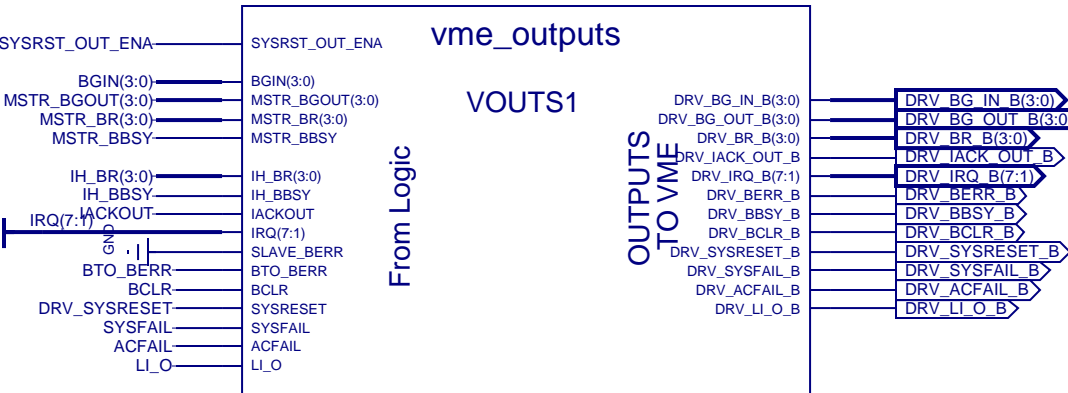
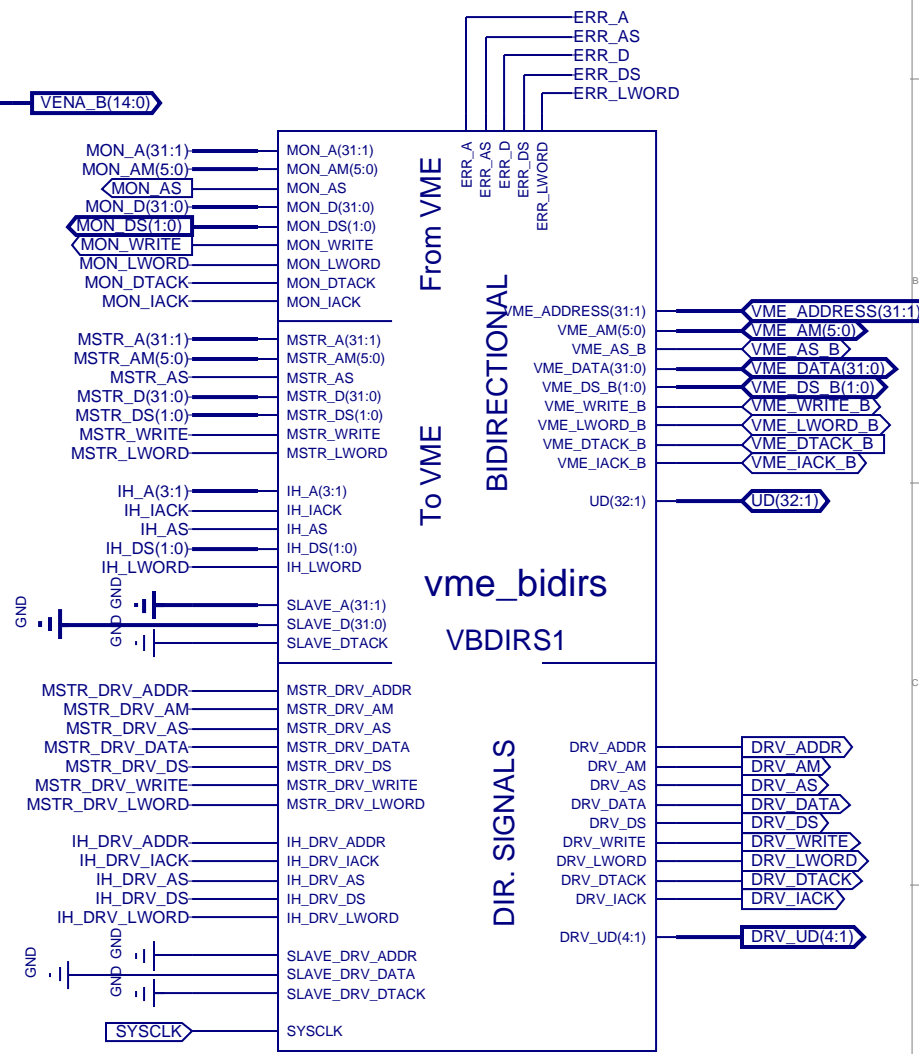
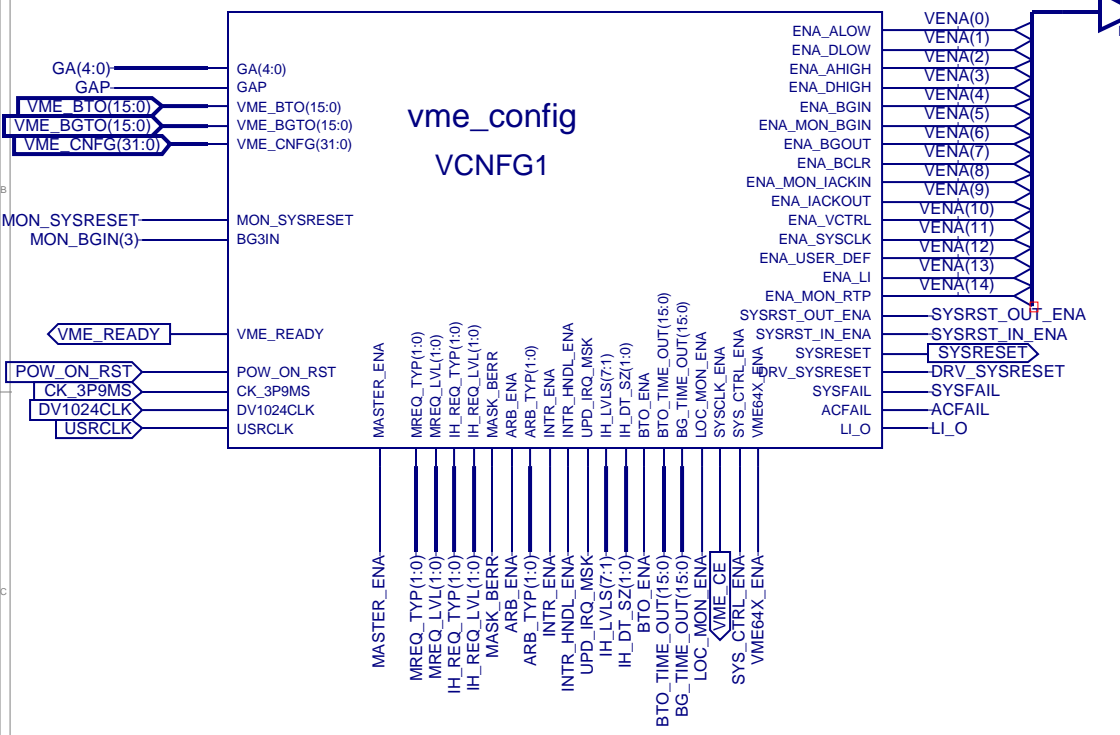
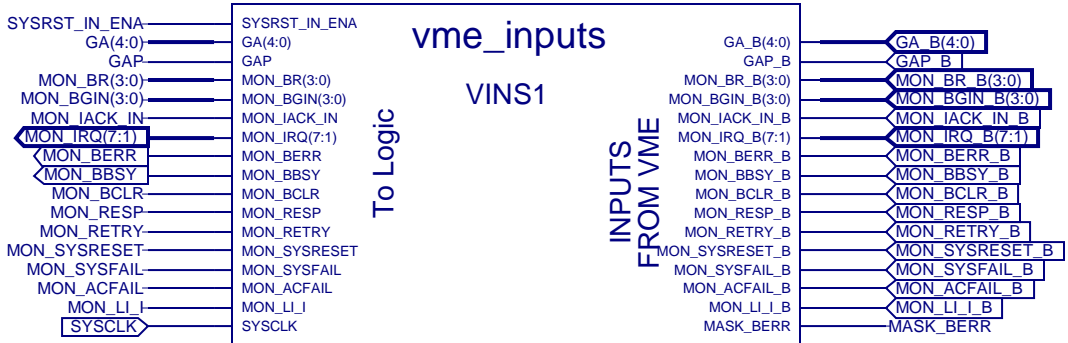
Project:D783C

Revision: 4.29

Name: Gigabit Ethernet VME Controller

Date: Mon Jan 21 13:06:27 2008

Sheet 3 of 4



Title: VME Interface	
Subtitle: I/Os	
Project: D783C	Revision: 4.29
Name: Gigabit Ethernet VME Controller	
Date: Mon Jan 21 13:06:27 2008	Sheet 4 of 4