

Title: VME Master and System Controller

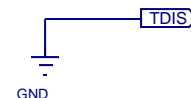
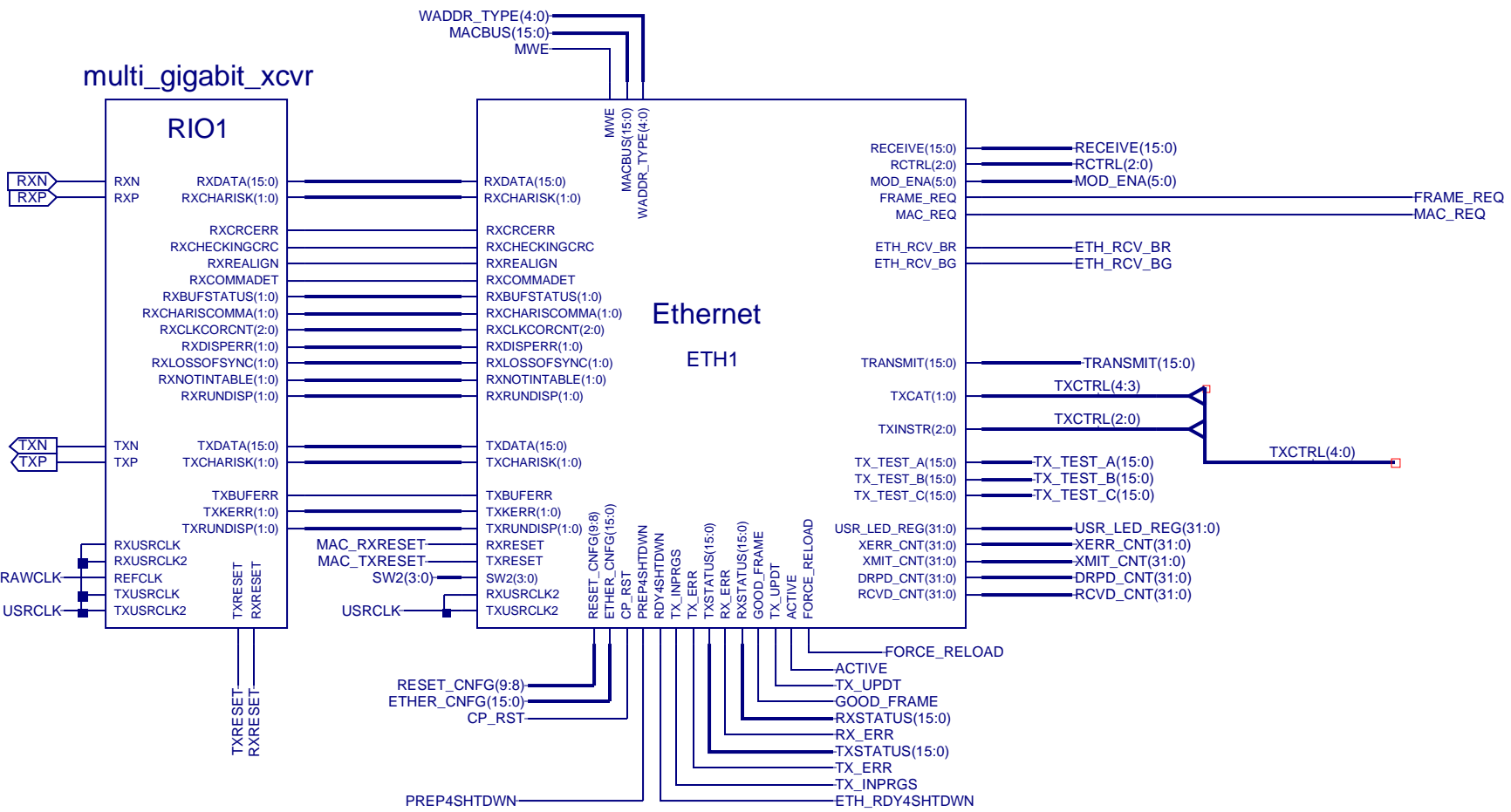
Subtitle: Start-up and Shutdown Sequencing

Project: D783C Revision: 4.30

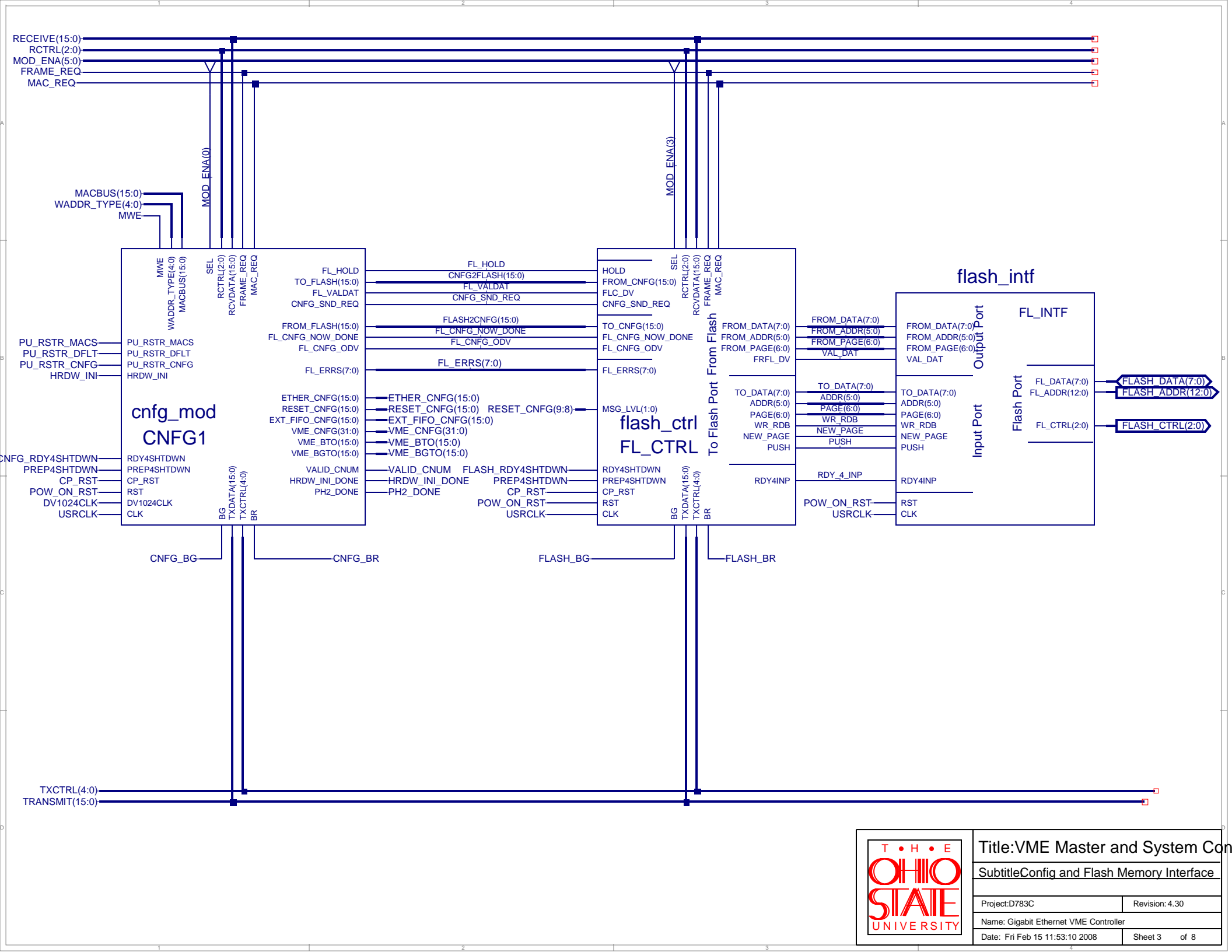
Name: Gigabit Ethernet VME Controller

Date: Fri Feb 15 11:53:10 2008 Sheet 1 of 8

multi_gigabit_xcvr



Title:VME Master and System Con	
SubtitleEthernet Module	
Project:D783C	Revision: 4.30
Name: Gigabit Ethernet VME Controller	
Date: Fri Feb 15 11:53:10 2008	Sheet 2 of 8



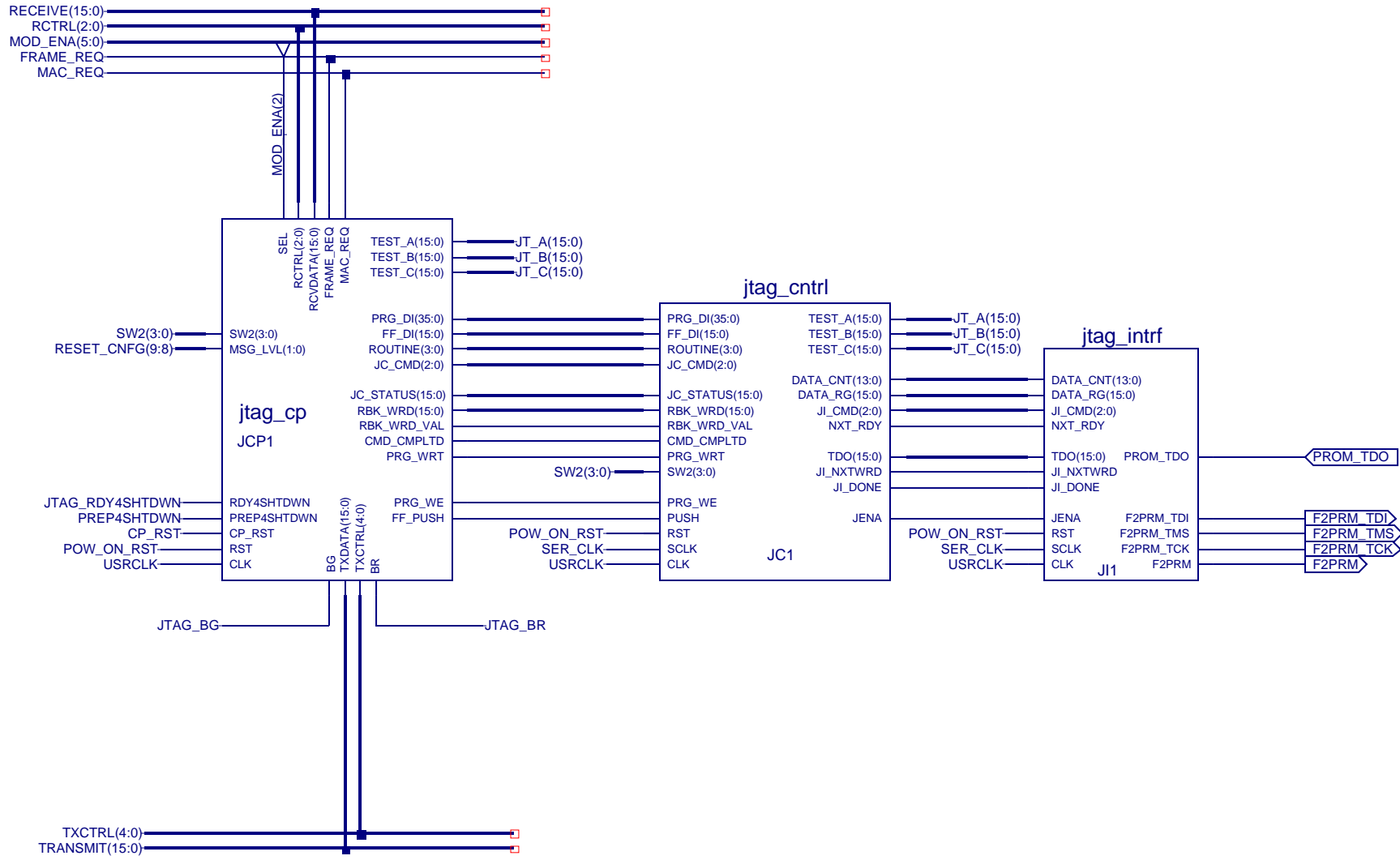
Title: VME Master and System Controller

Subtitle: Config and Flash Memory Interface

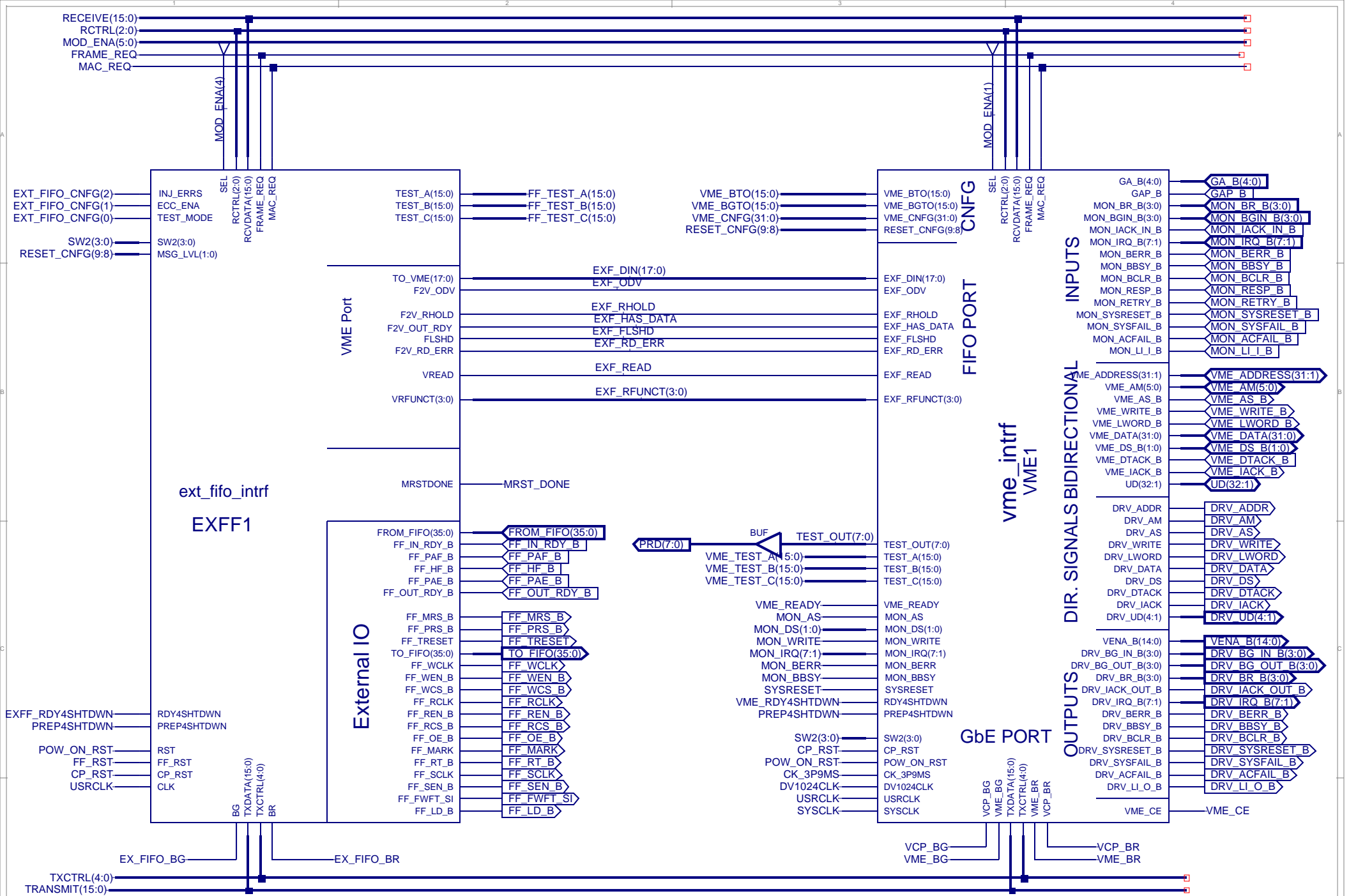
Project: D783C Revision: 4.30

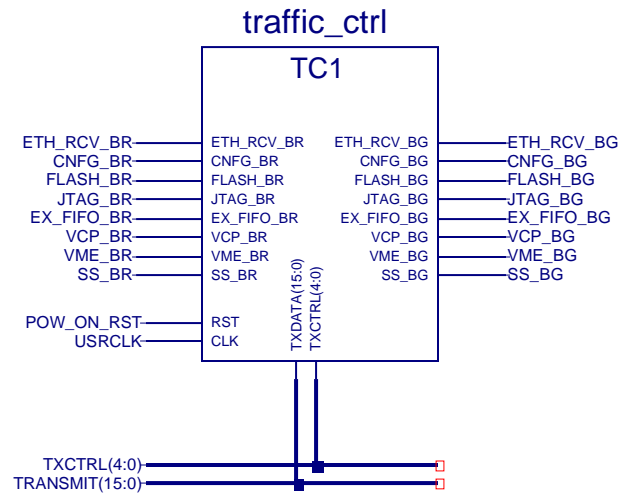
Name: Gigabit Ethernet VME Controller

Date: Fri Feb 15 11:53:10 2008 Sheet 3 of 8

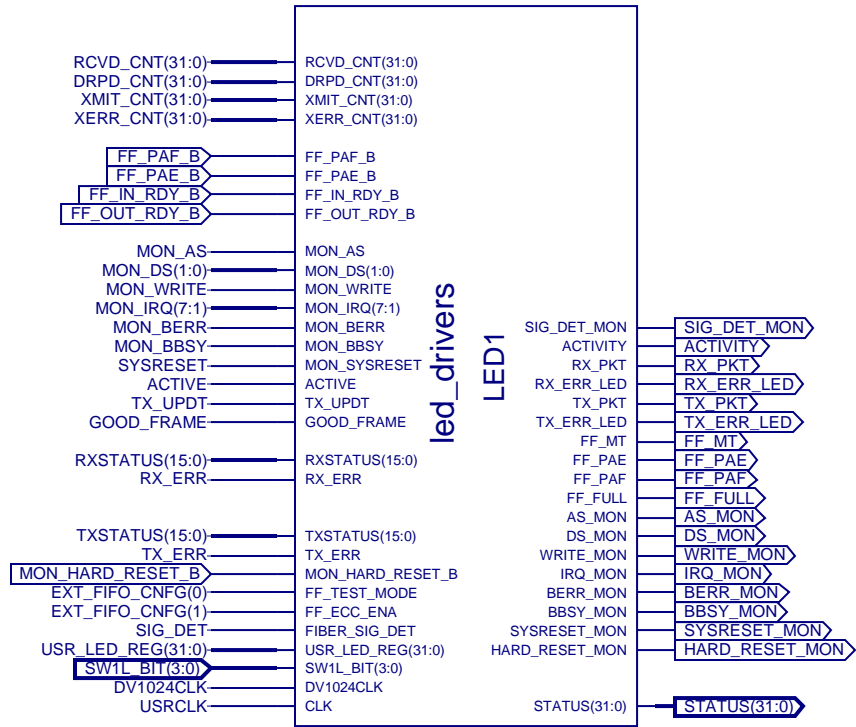


Title: VME Master and System Controller	
Subtitle: JTAG Interface	
Project: D783C	Revision: 4.30
Name: Gigabit Ethernet VME Controller	
Date: Fri Feb 15 11:53:10 2008	Sheet 4 of 8

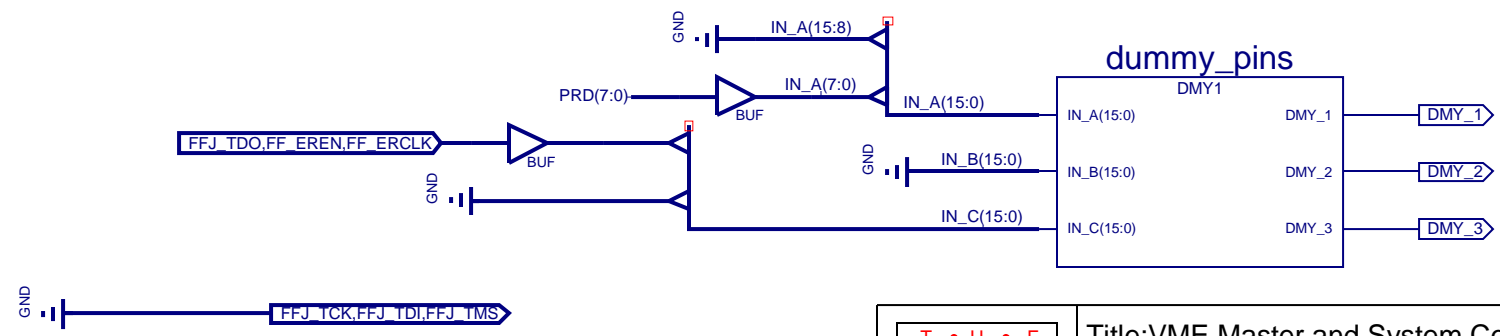
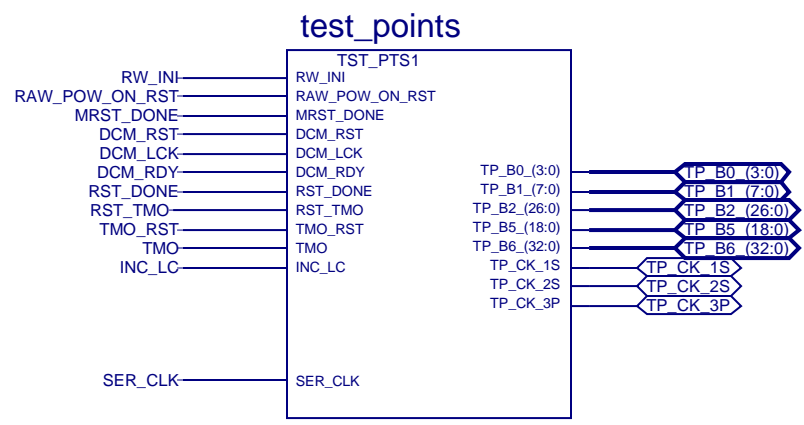
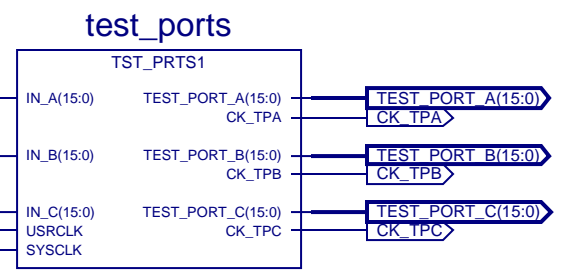
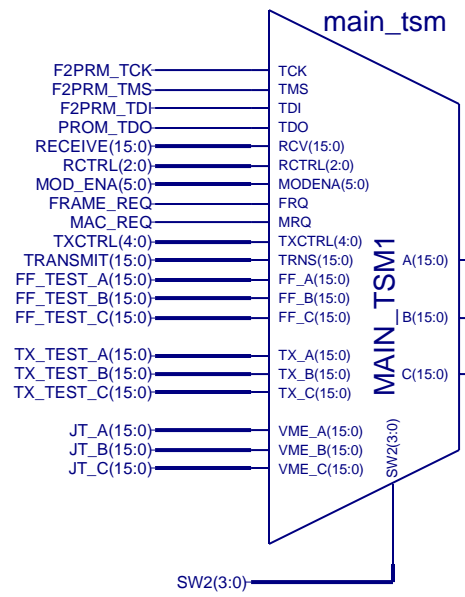




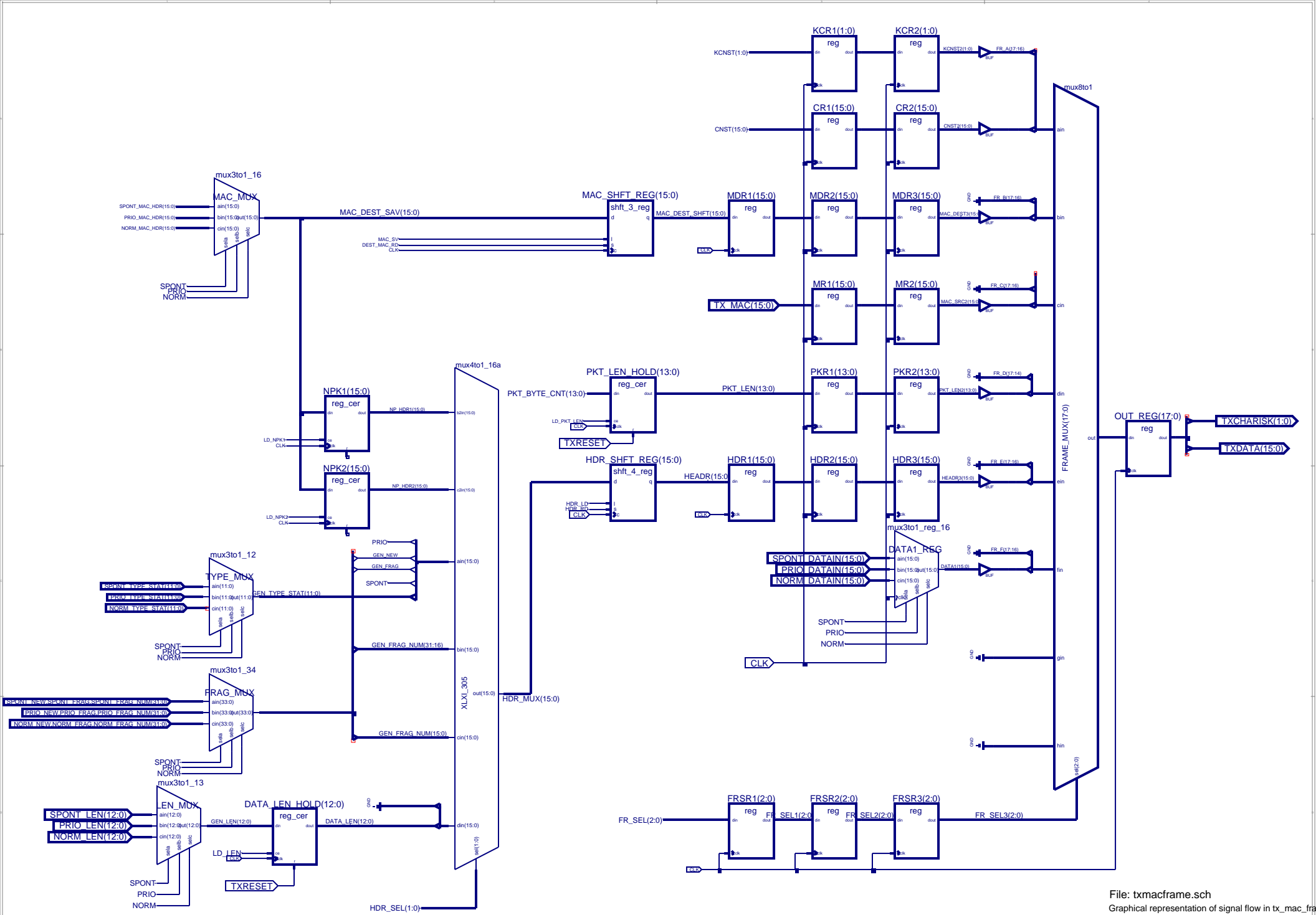
Title: VME Master and System Controller	
Subtitle: Bus Traffic Controller	
Project: D783C	Revision: 4.30
Name: Gigabit Ethernet VME Controller	
Date: Fri Feb 15 11:53:10 2008	Sheet 6 of 8



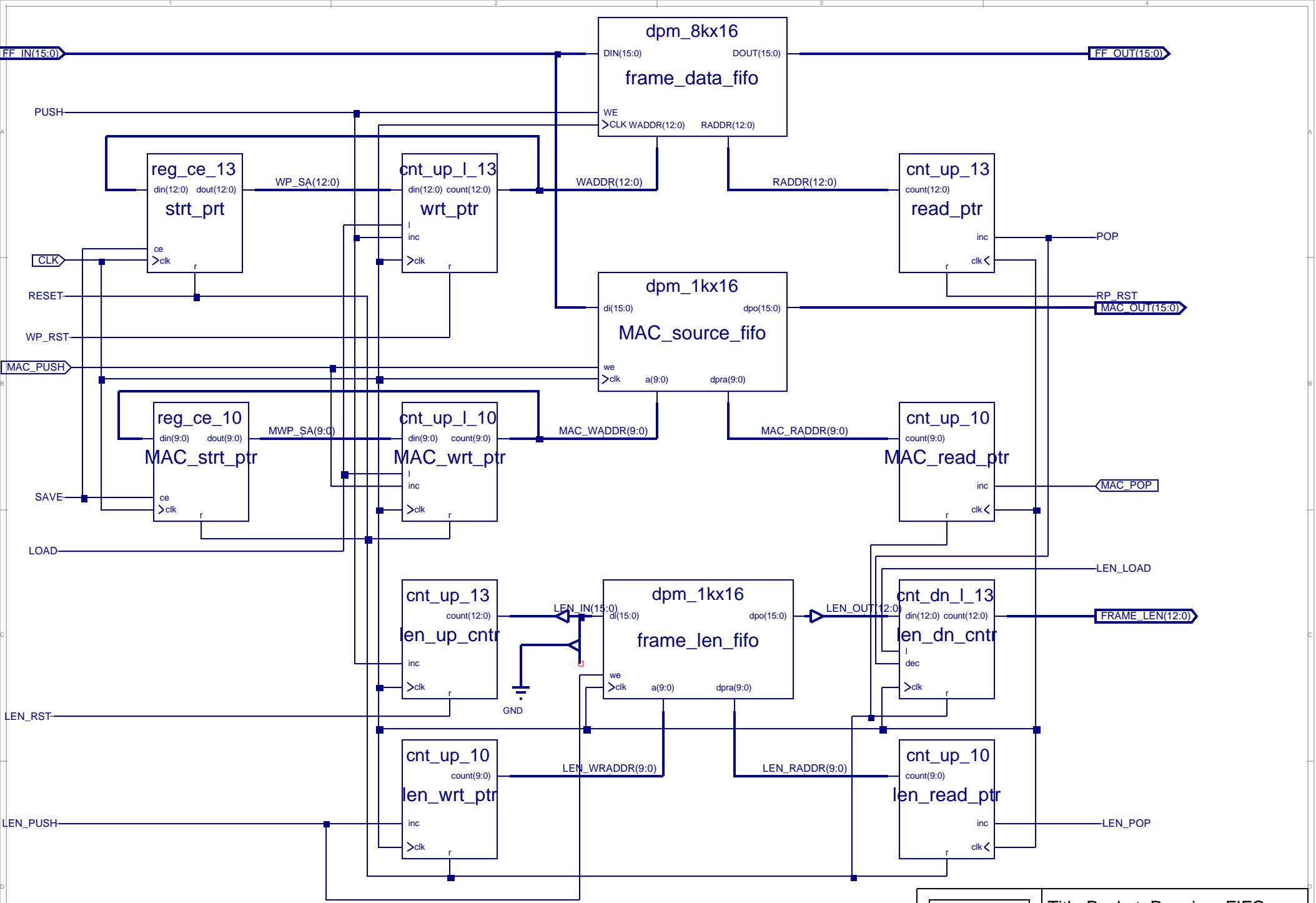
Title:VME Master and System Con	
Subtitle>Status and Monitoring (LEDs)	
Project:D783C	Revision: 4.30
Name: Gigabit Ethernet VME Controller	
Date: Fri Feb 15 11:53:10 2008	Sheet 7 of 8



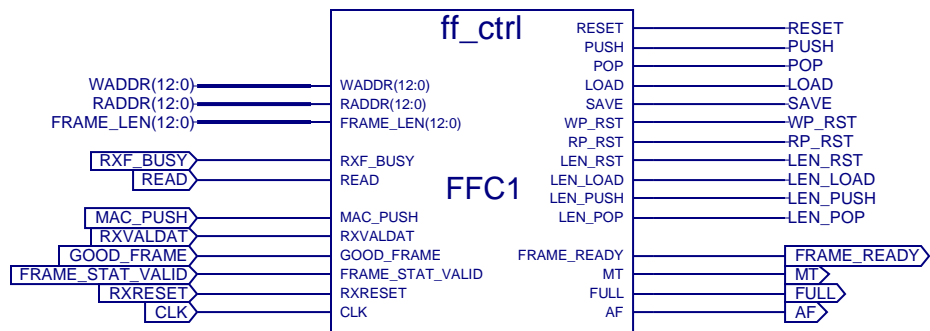
Title: VME Master and System Controller	
Subtitle: Test Ports and Test Points	
Project: D783C	Revision: 4.30
Name: Gigabit Ethernet VME Controller	
Date: Fri Feb 15 11:53:10 2008	Sheet 8 of 8



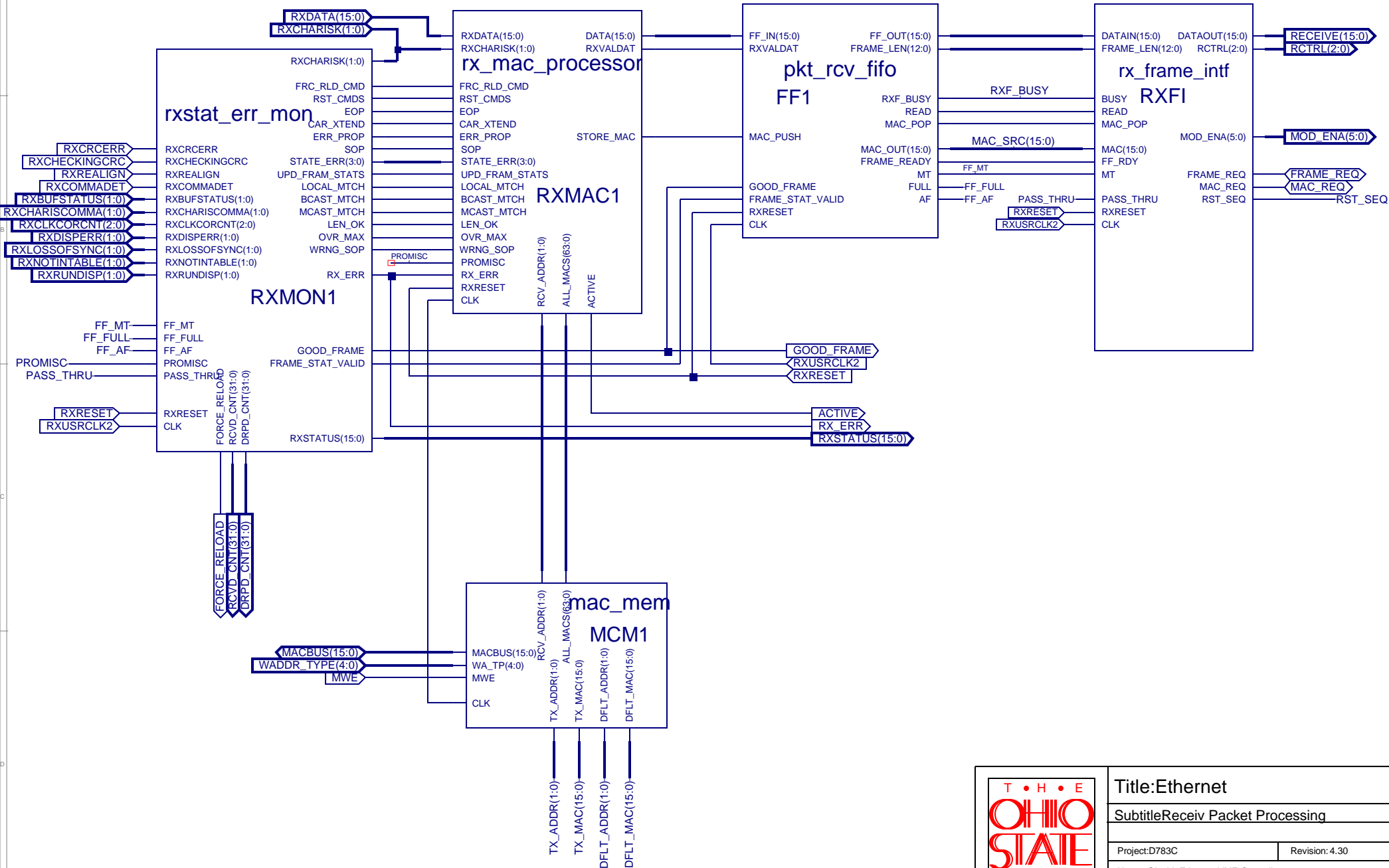
File: txmacframe.sch
 Graphical representation of signal flow in tx_mac_frame

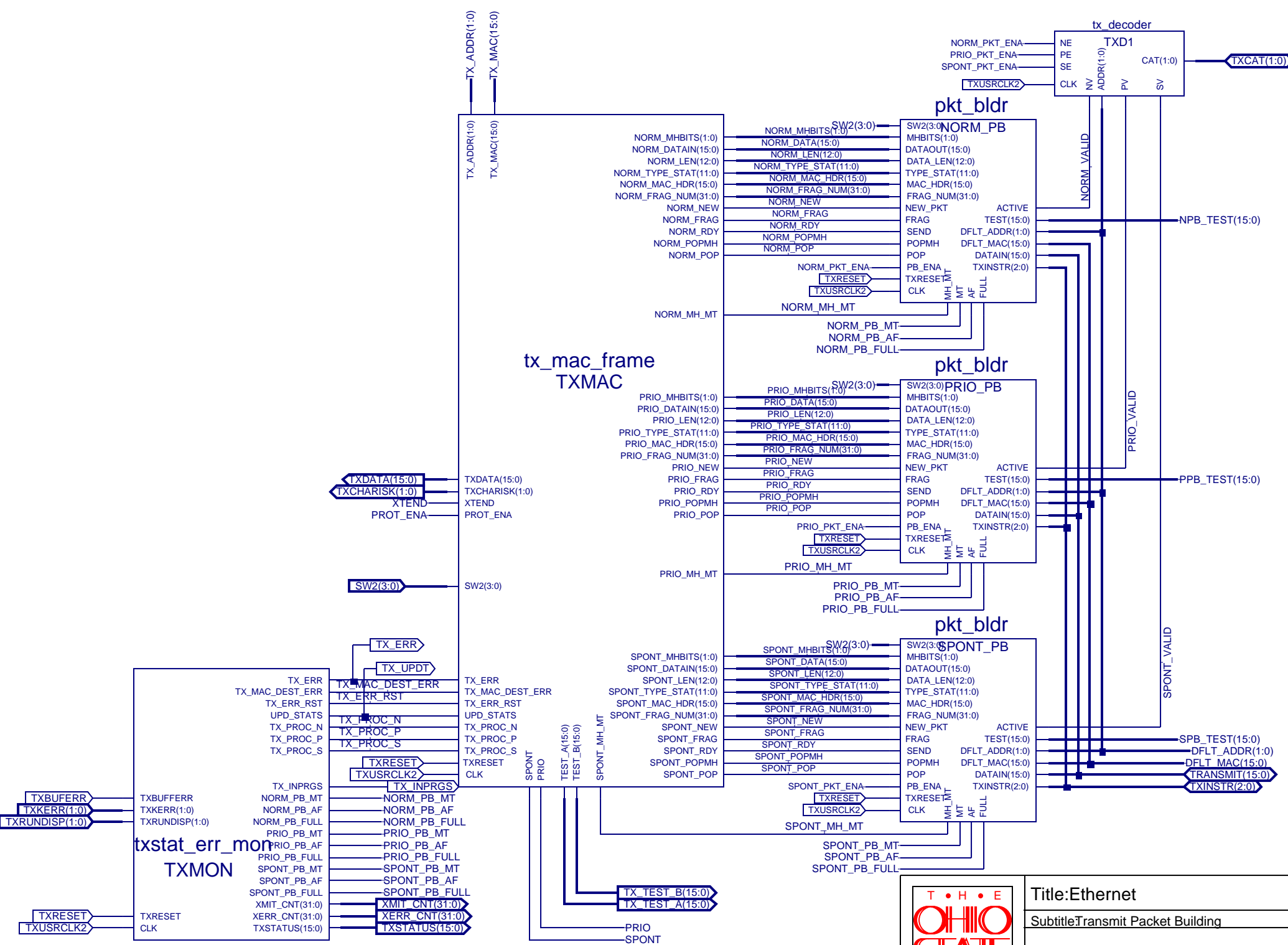


Title:Packet Receiver FIFO	
Subtitle:FIFOs and counters	
Project:D783C	Revision: 4.30
Name: Gigabit Ethernet VME Contoller	
Date: Fri Feb 15 11:56:31 2008	Sheet 1 of 2

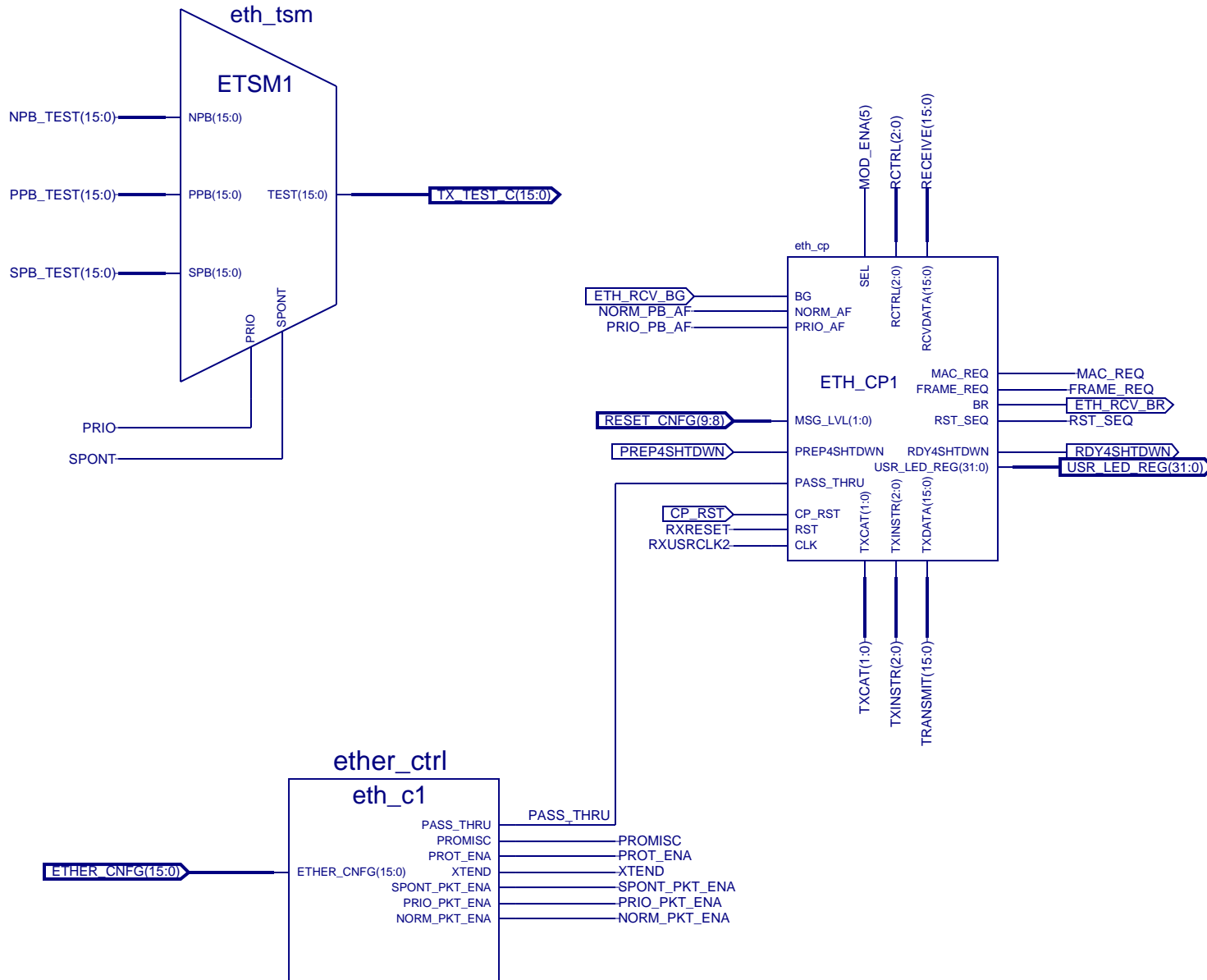


Title: Packet Receiver FIFO	
Subtitle: FIFO Controller	
Project: D783C	Revision: 4.30
Name: Gigabit Ethernet VME Controller	
Date: Fri Feb 15 11:56:31 2008	Sheet 2 of 2





Title: Ethernet	
Subtitle: Transmit Packet Building	
Project: D783C	Revision: 4.30
Name: Gigabit Ethernet VME Controller	
Date: Fri Feb 15 11:55:37 2008	Sheet 2 of 3



Title: Ethernet

Subtitle: Logic Analyzer

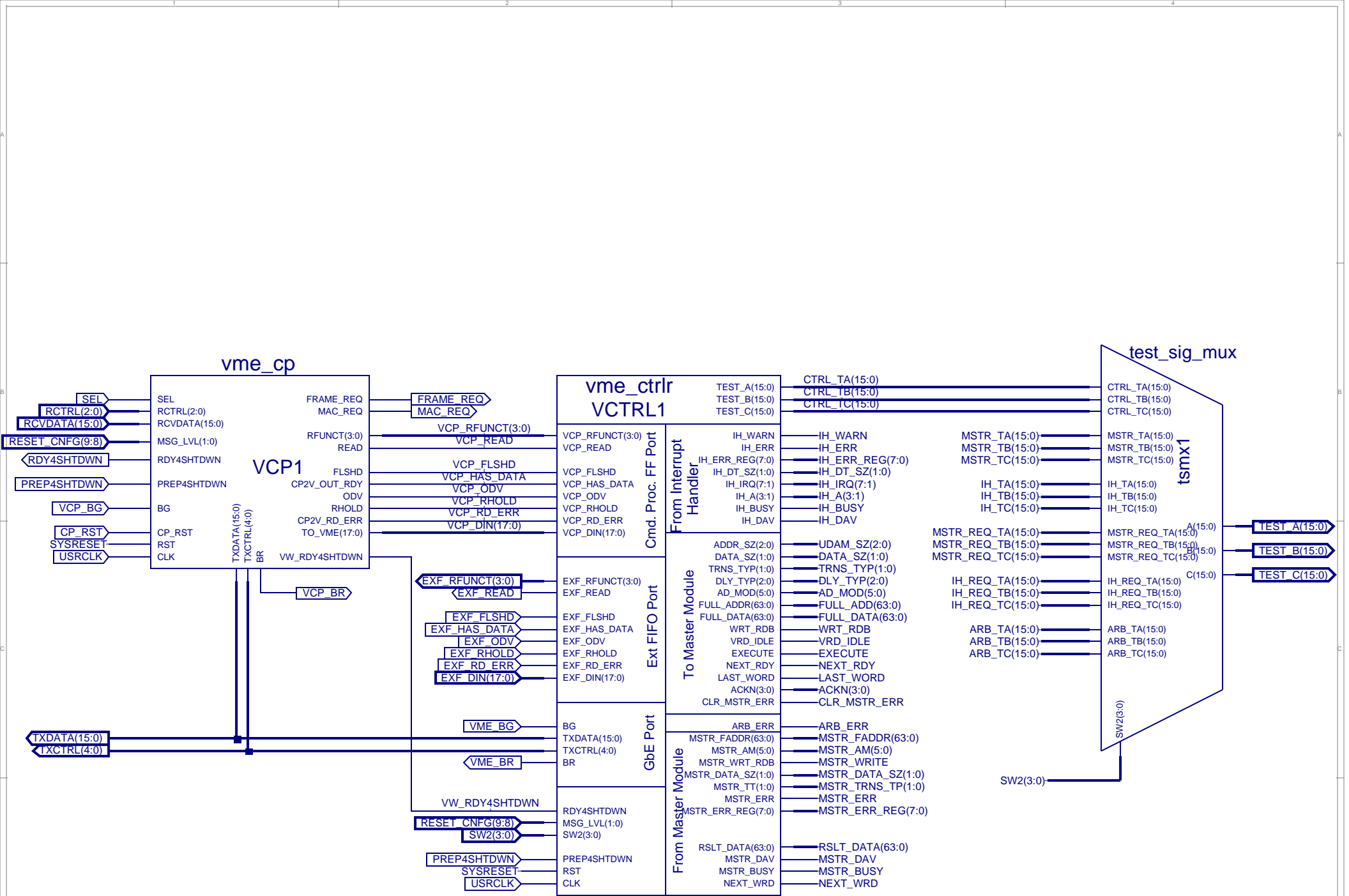
Project: D783C

Revision: 4.30

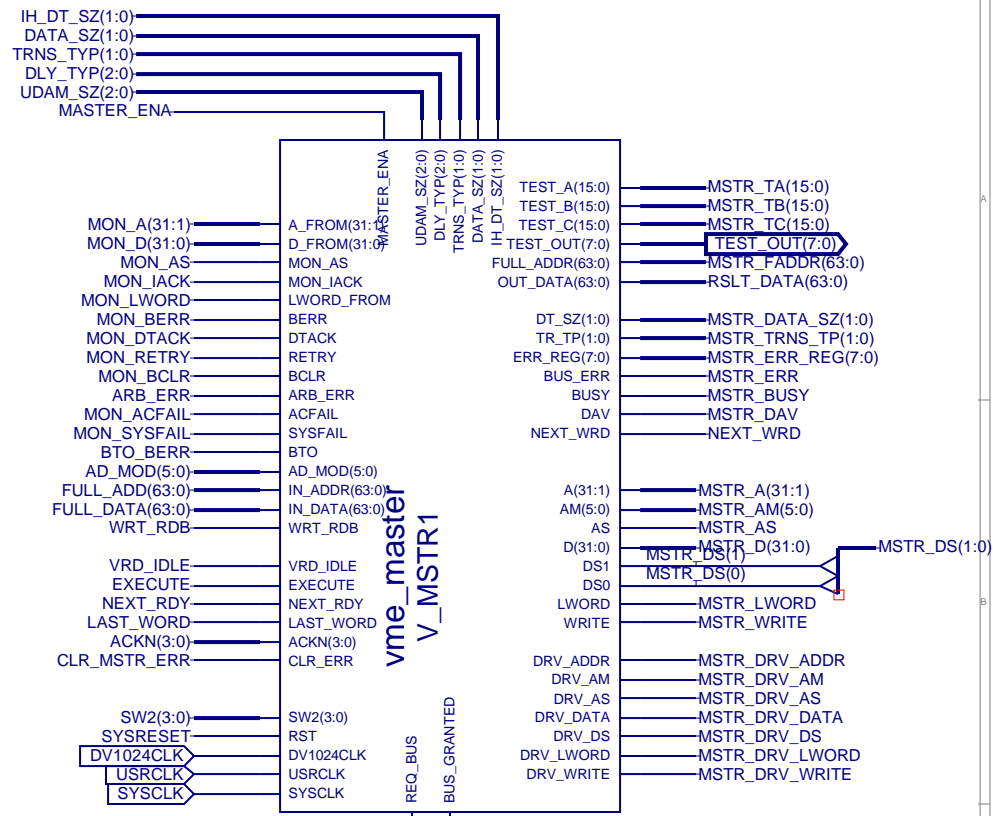
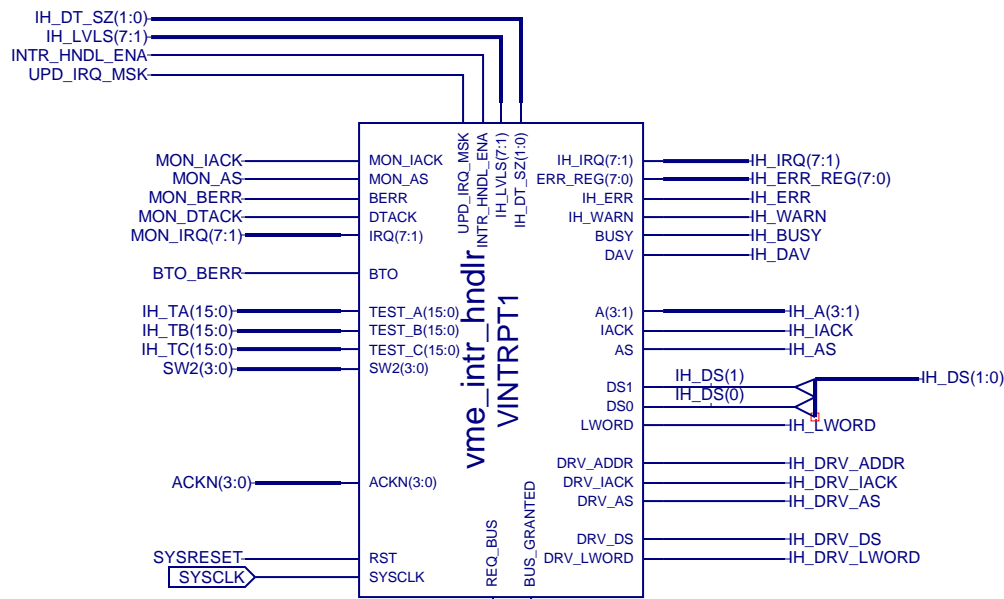
Name: Gigabit Ethernet VME Controller

Date: Fri Feb 15 11:55:37 2008

Sheet 3 of 3



Title:VME Interface	
Subtitle:Controller	
Project:D783C	Revision: 4.30
Name: Gigabit Ethernet VME Controller	
Date: Fri Feb 15 11:57:48 2008	Sheet 1 of 4



Title: VME Interface

Subtitle: Master and Interrupt Handler

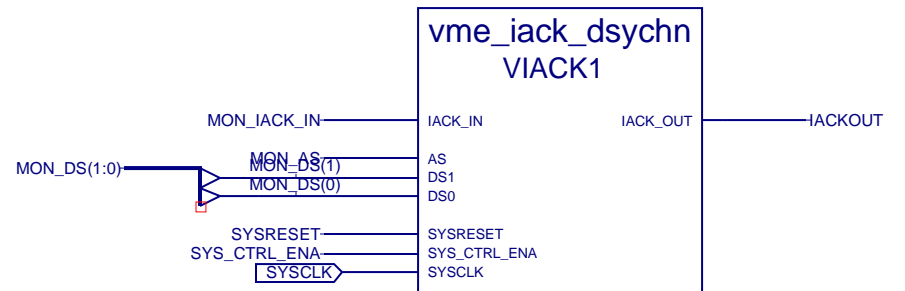
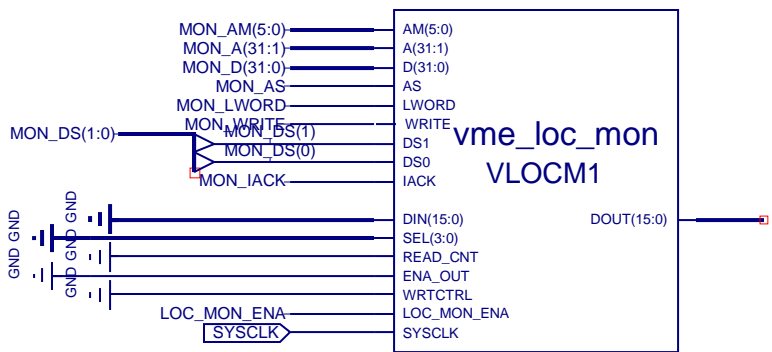
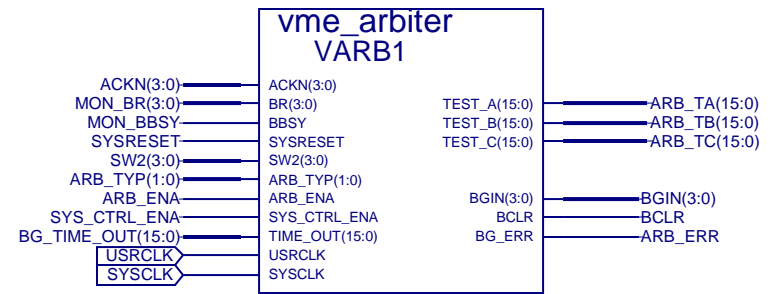
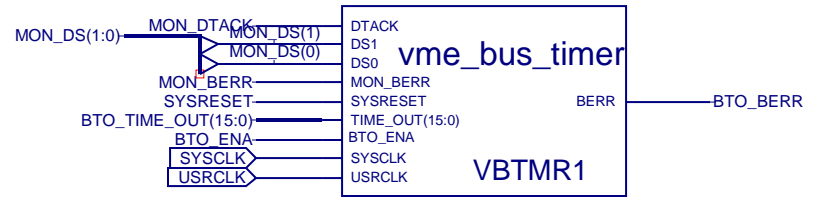
Project: D783C

Revision: 4.30

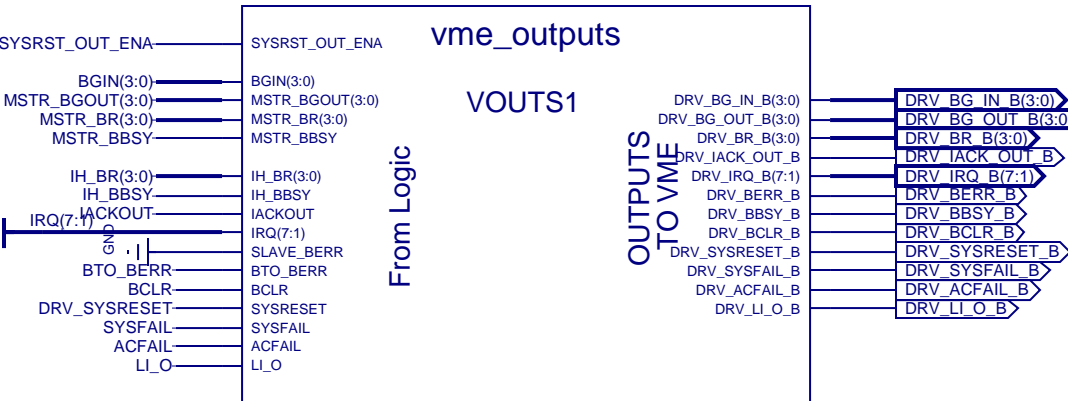
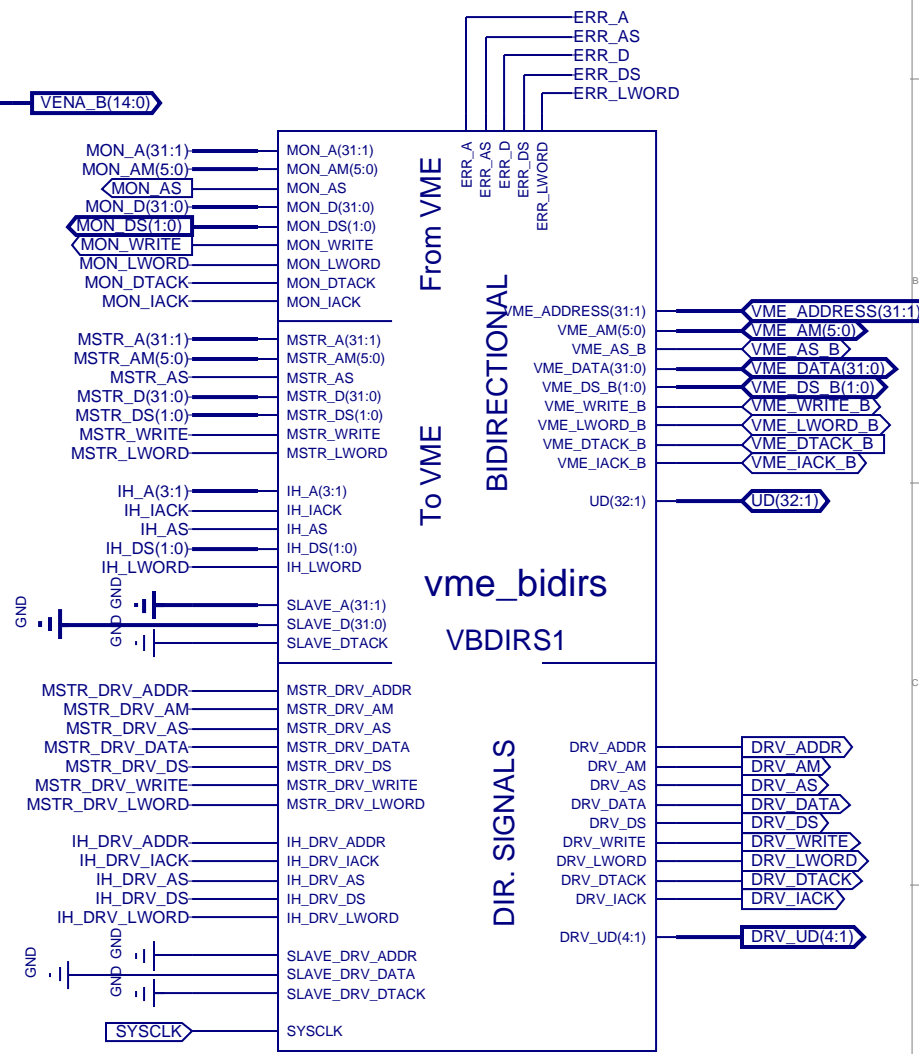
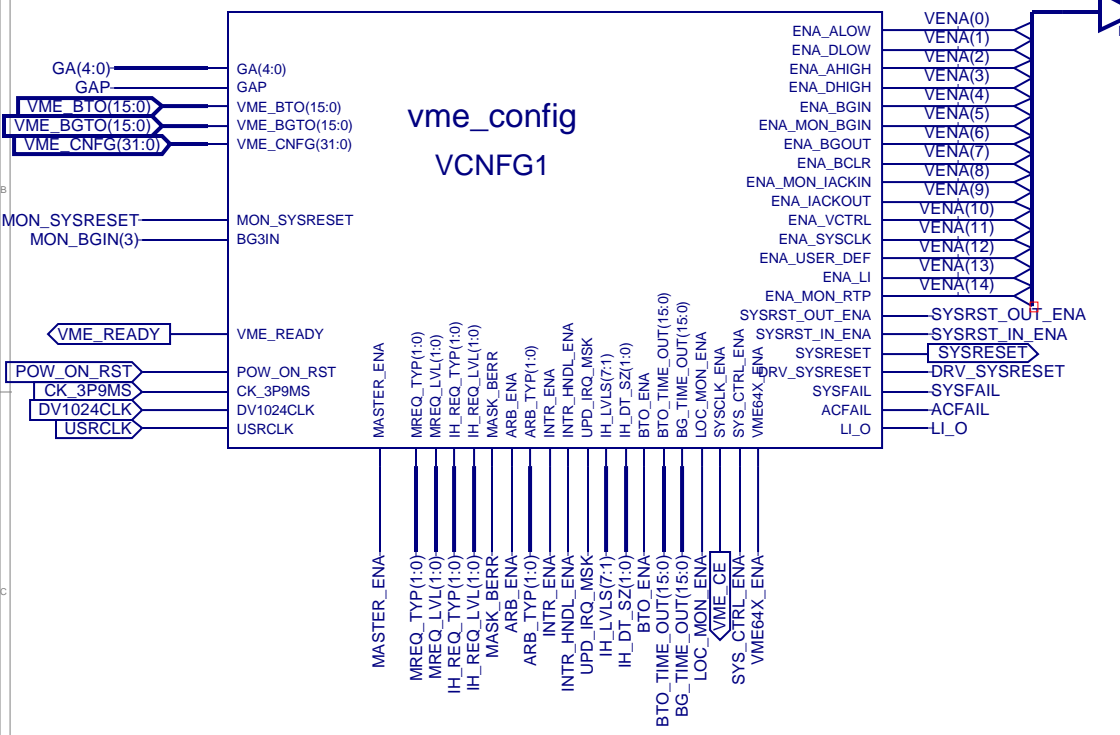
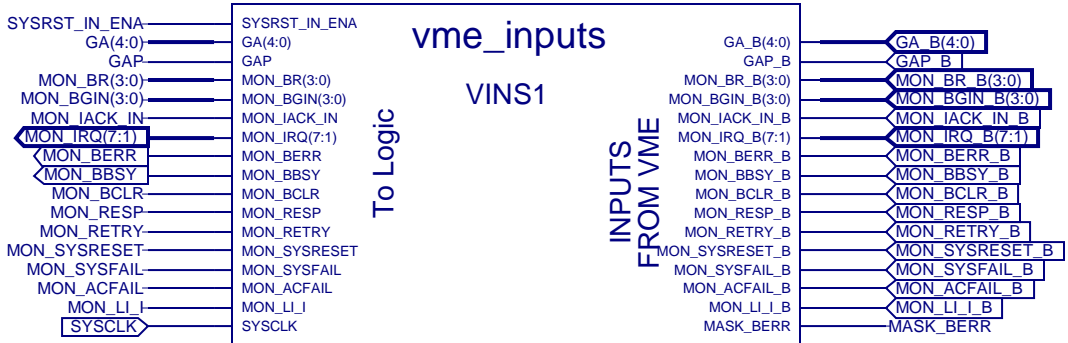
Name: Gigabit Ethernet VME Controller

Date: Fri Feb 15 11:57:48 2008

Sheet 2 of 4



Title:VME Interface	
Subtitle:Slave, Arbiter, Bus Timer, and Misc.	
Project:D783C	Revision: 4.30
Name: Gigabit Ethernet VME Controller	
Date: Fri Feb 15 11:57:48 2008	Sheet 3 of 4



Title: VME Interface	
Subtitle: IOs	
Project:D783C	Revision: 4.30
Name: Gigabit Ethernet VME Controller	
Date: Fri Feb 15 11:57:48 2008	Sheet 4 of 4