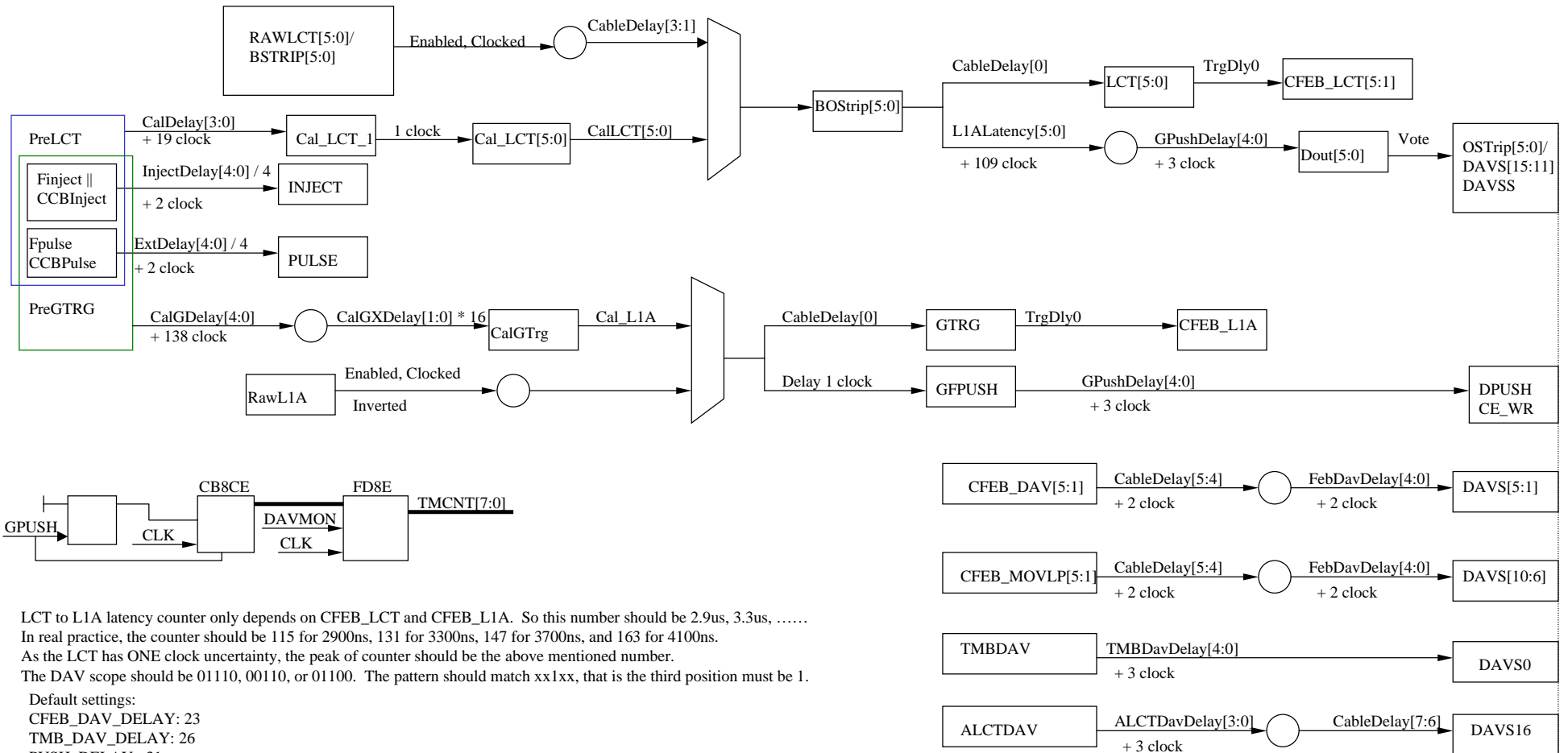


# DMB Timing diagram



LCT to L1A latency counter only depends on CFEB\_LCT and CFEB\_L1A. So this number should be 2.9us, 3.3us, .....

In real practice, the counter should be 115 for 2900ns, 131 for 3300ns, 147 for 3700ns, and 163 for 4100ns.

As the LCT has ONE clock uncertainty, the peak of counter should be the above mentioned number.

The DAV scope should be 01110, 00110, or 01100. The pattern should match xx1xx, that is the third position must be 1.

- Default settings:
- CFEB\_DAV\_DELAY: 23
  - TMB\_DAV\_DELAY: 26
  - PUSH\_DELAY: 31
  - L1A\_LATENCY: 24
  - ALCT\_DAV\_DELAY: 1(2)
  - CAL\_LCT\_DELAY: 8
  - CAL\_L1A\_DELAY: 22
  - INJECT\_DELAY: 12
  - EXT\_DELAY: 12
  - COMPARATOR\_MODE: 2
  - COMPARATOR\_TIME: 1
  - PRE\_BLK\_END: 9
  - EXTRA\_L1A\_Latency: '01'
  - CABLE\_DELAY: 0